

Jaya W

Diffuser
High-End

Specifications

Finishing Material : **Wood**
 Dimensions - **595x 595 x 145 (mm)**
 Veneered weight - **Available soon**
 Lacquered weight - **3,10 Kg***
 Installation - **Mechanical**
 Hs-Code - **available soon**



Description

Jaya W Diffuser is a product with an exquisite design, aiming to reach high frequency diffusion as much as possible. The handmade sphere shaped panel with sharp edges, was designed to give you maximum efficiency in every way, particularly at high frequencies. The scattering of this panel begins at 350 Hz and offers effective and even diffusion up to 5000 Hz.

This premium product is available in a wood finish or in lacquered colours, making it ideal to be used on the front, back or side walls.

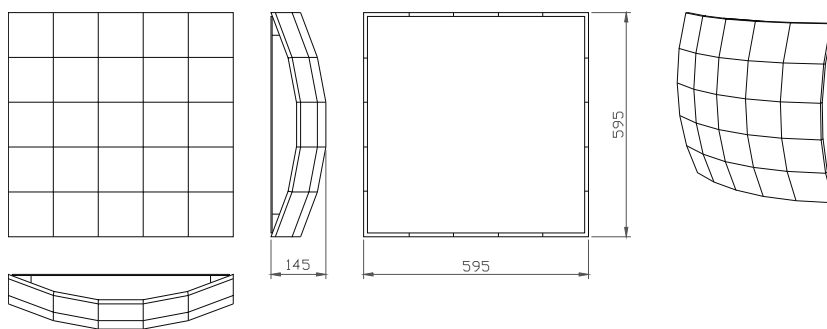
Veneered wood finish:



Lacquered wood finish:



Technical Information

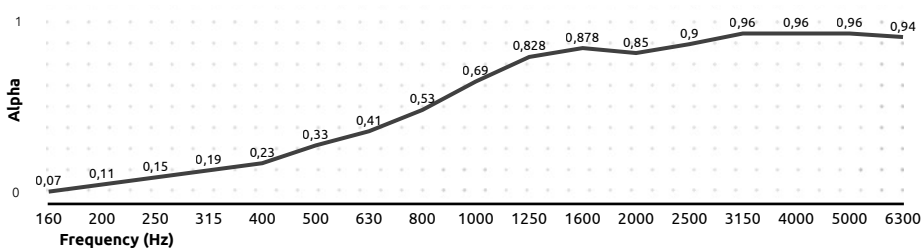


Packaging

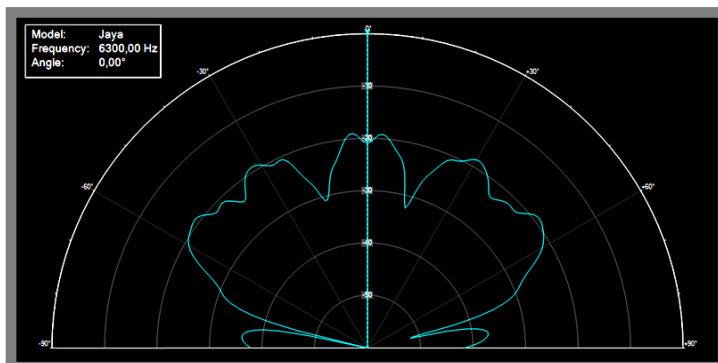
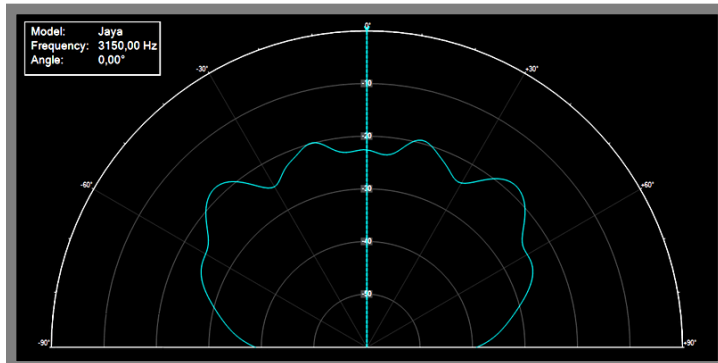
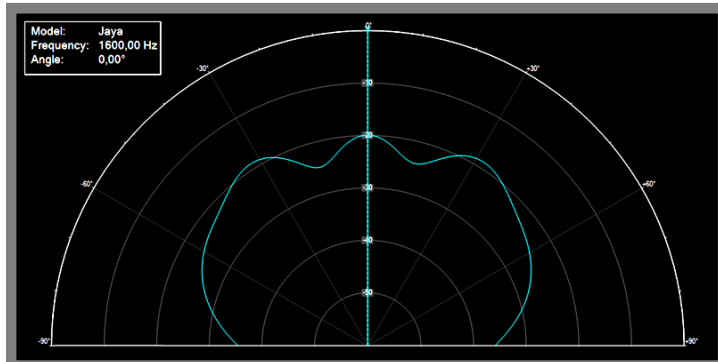
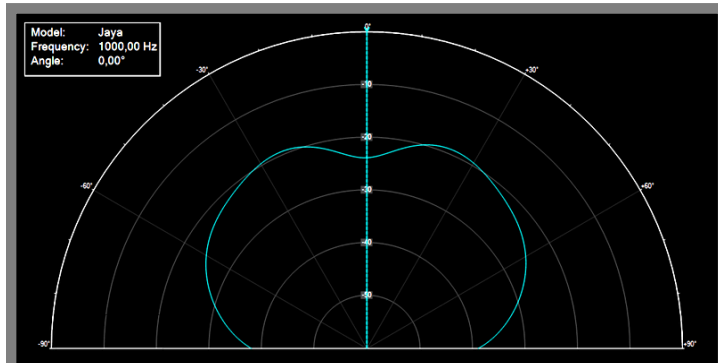
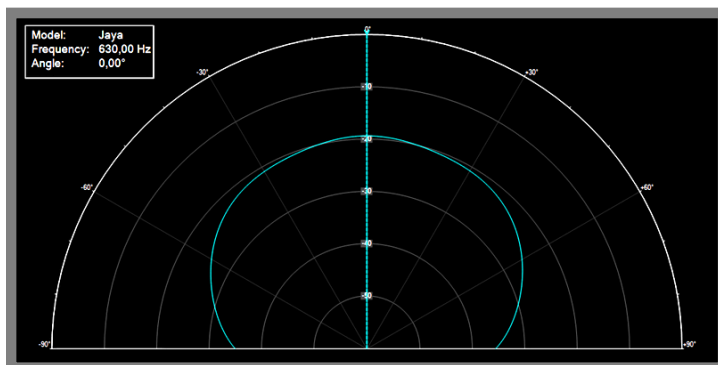
Dimensions - 620 x 385 x 620 (mm)
 Weight - 15,10 Kg*
 4 Units per box

* Approximate weight

Performance (computer estimation - Finite Elements - scattering coefficient)



Polar response



artnovion

Jaya W

Diffuser
High-End

Specifications

Finishing Material : **Wood**

Dimensions - **595x 595 x 145 (mm)**

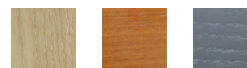
Veneered weight - **Available soon**

Lacquered weight - **3,10 Kg***

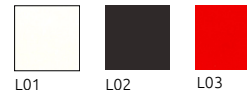
Installation - **Mechanical**

Hs-Code - **available soon**

Veneered wood finish:



Lacquered wood finish:



Packaging

Dimensions - 620 x 385 x 620 (mm)

Weight - 15,10 Kg*

4 Units per box

* Approximate weight



hello@artnovion.com
www.artnovion.com