

Troy AE

Paneling
ARCHITECTURE & ENGINEERING

Specifications

Acoustic performance:

Absorption range | 450Hz to 3150Hz

Acoustic class | B

Absorption coef. (α_w) | 0,8

FR++

Dim. | 297,5x297,5x45 mm

Weight | Kg*

Units per box | 8

Box Weight | Kg*

Installation - Chemical

Packing Dimensions - 640x385x320 mm

* Approximate weight

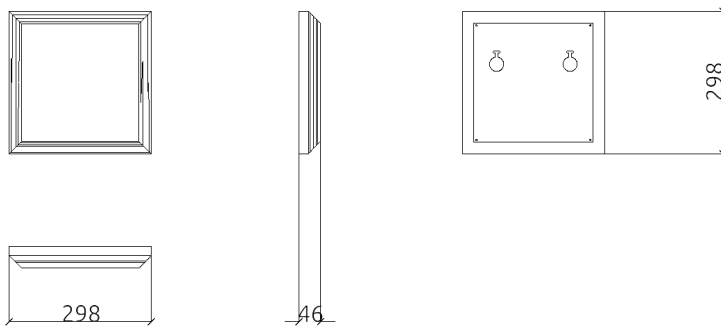
Product finishes:

Description

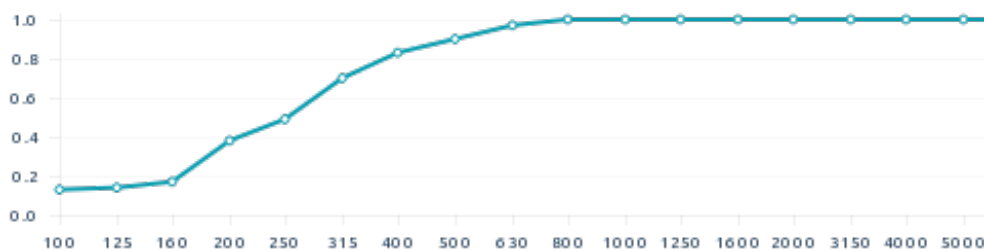
Troy AE is a fabric covered absorber, with a usable range of 350 Hz up to 4000 Hz.

Due to its square shape, Troy can easily be arranged and grouped, providing you with the perfect opportunity to make your own patterns and designs. Easy to install and available in 10 different fabric choices, Troy is perfect for any environment.

Technical Information



Performance



hello@artnovion.com
www.artnovion.com