

Owner's Manual



INSTALLERS: PLEASE BE SURE TO LEAVE THIS
MANUAL WITH THE OWNER. THANK YOU!

APPLY S/N
STICKER HERE



LIMITED ONE YEAR WARRANTY ON SCREEN INNOVATIONS PRODUCTS

Screen Innovations warrants its products, to the original purchaser only, to be free from defects in materials and workmanship for a period of one (1) year from the date of purchase by the original purchaser provided they are properly operated according to Screen Innovations' instructions and are not damaged due to improper handling or treatment after shipment from the factory.

This warranty does not apply to equipment showing evidence of misuse, abuse, or accidental damage, or which has been tampered with or repaired by a person other than authorized Screen Innovations personnel.

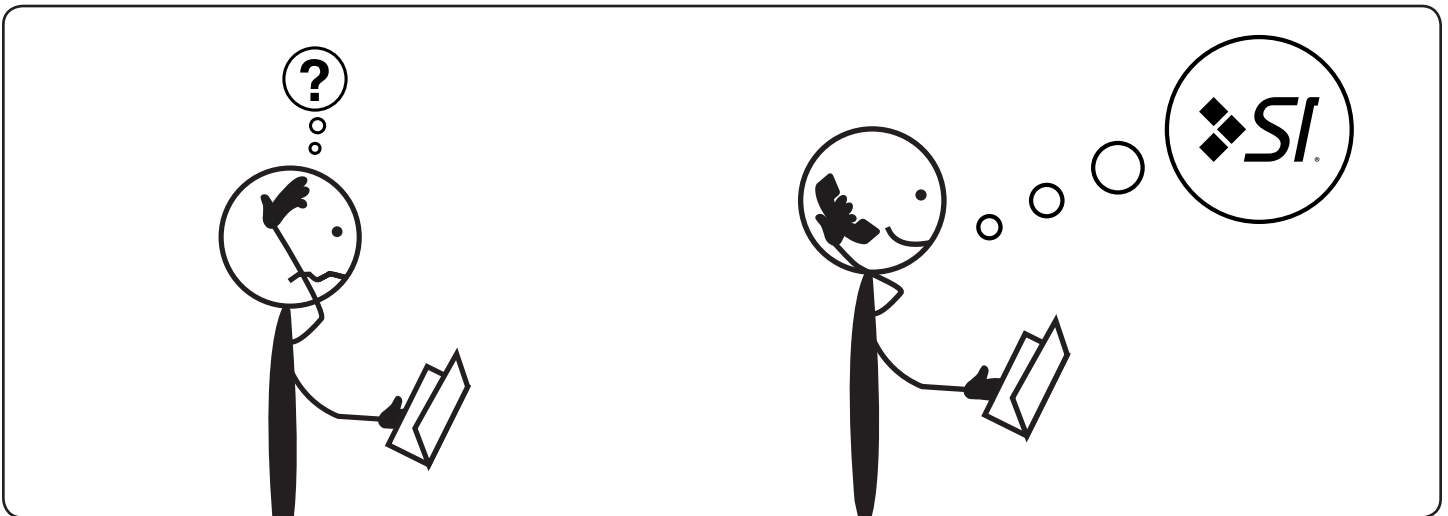
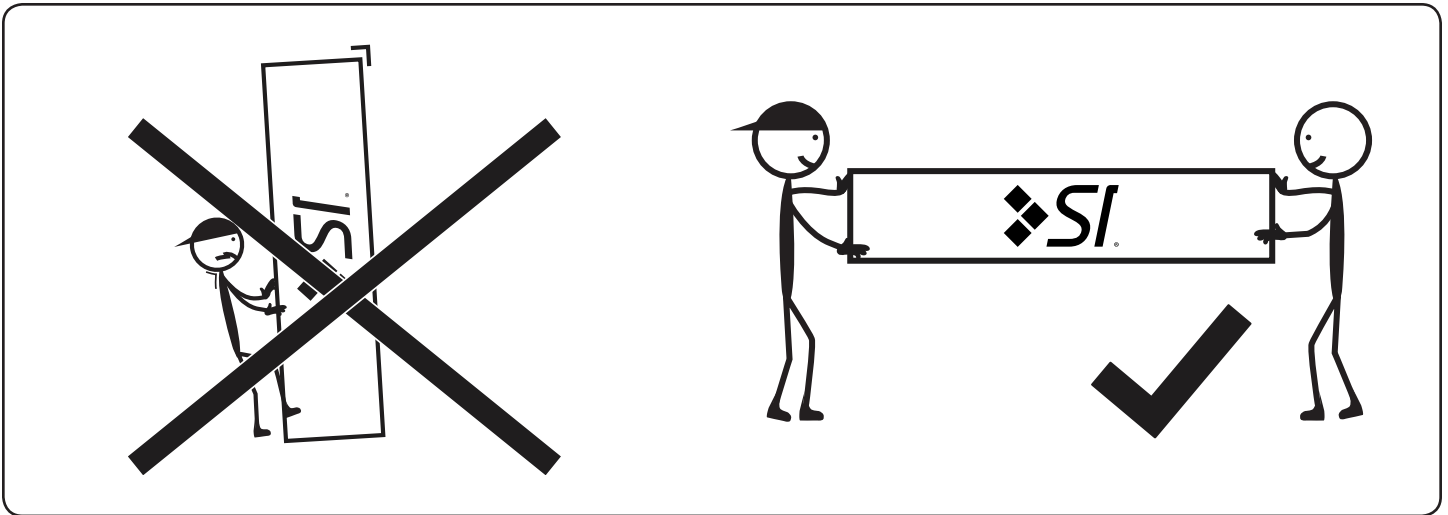
Screen Innovations' sole obligation under this warranty shall be to repair or to replace (at Screen Innovations' option) the defective part of the merchandise. Returns for service should be made to your Screen Innovations' dealer. If it is necessary for the dealer to return the screen or part to Screen Innovations, transportation expenses to and from Screen Innovations are payable by the purchaser and Screen Innovations is not responsible for damage in shipment. To protect yourself against damage or loss in transit, insure the product and prepay all transportation expenses.

THIS WARRANTY IS IN LIEU OF ALL OTHER WARRANTIES, EXPRESS OR IMPLIED, INCLUDING WARRANTIES AS TO FITNESS FOR USE AND MERCHANT ABILITY. Any implied warranties of fitness for use, or merchantability, that may be mandated by statute or rule of law are limited to the one (1) year warranty period. This warranty gives you specific legal rights, and you may also have other rights, which vary from state-to-state. NO LIABILITY IS ASSUMED FOR EXPENSES OR DAMAGES RESULTING FROM INTERRUPTION IN OPERATION OF EQUIPMENT, OR FOR INCIDENTAL, DIRECT, OR CONSEQUENTIAL DAMAGES OF ANY NATURE.

In the event that there is a defect in materials or workmanship of a Screen Innovations product, you may contact our Sales Partners at 9715-B Burnet Road Suite 400, Austin, TX 78758, (512) 832-6939.

IMPORTANT: THIS WARRANTY SHALL NOT BE VALID AND SCREEN INNOVATIONS SHALL NOT BE BOUND BY THIS WARRANTY IF THE PRODUCT IS NOT OPERATED IN ACCORDANCE WITH SCREEN INNOVATIONS' WRITTEN INSTRUCTIONS.

Keep your sales receipt to prove the date of purchase and your original ownership.

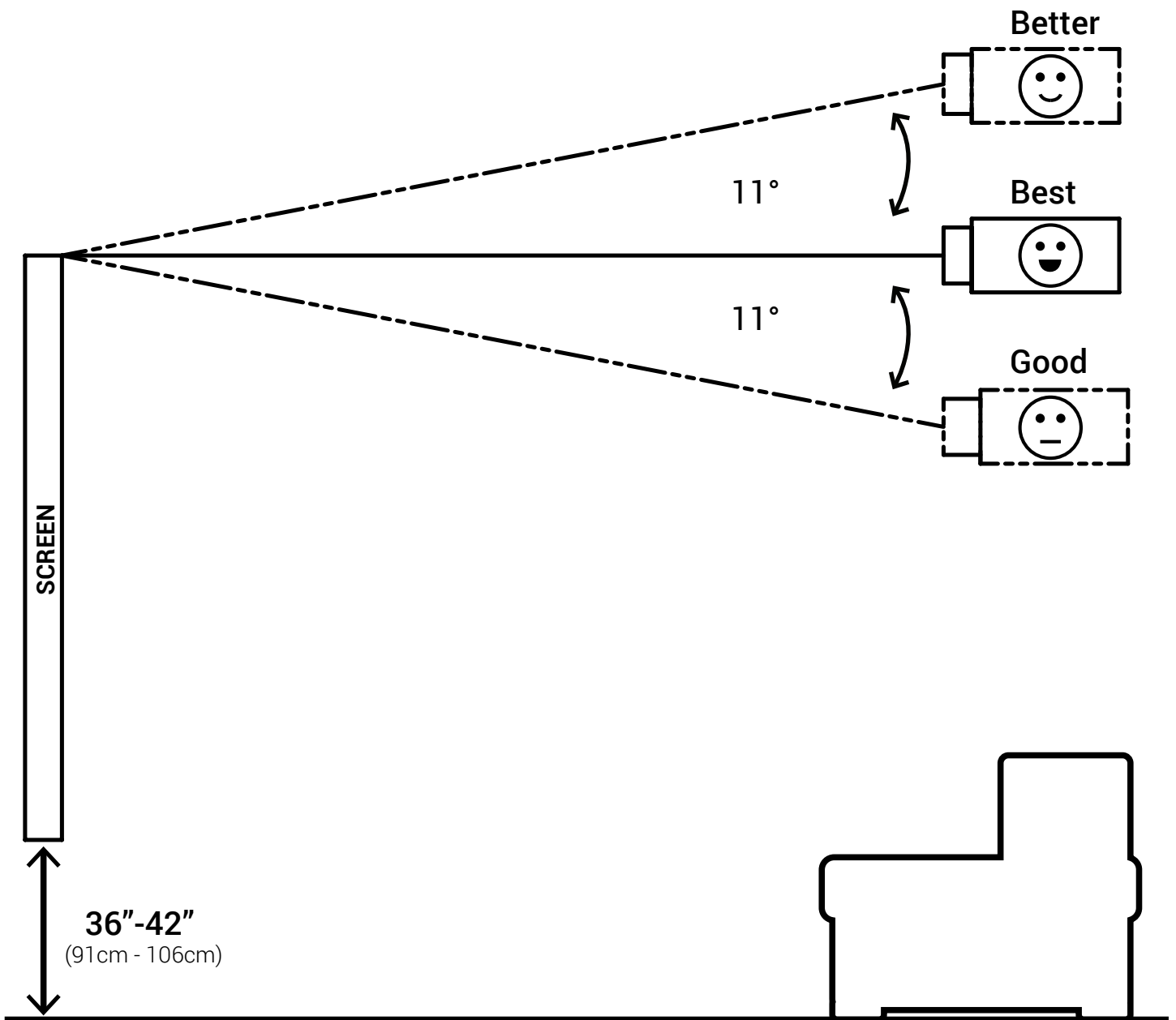


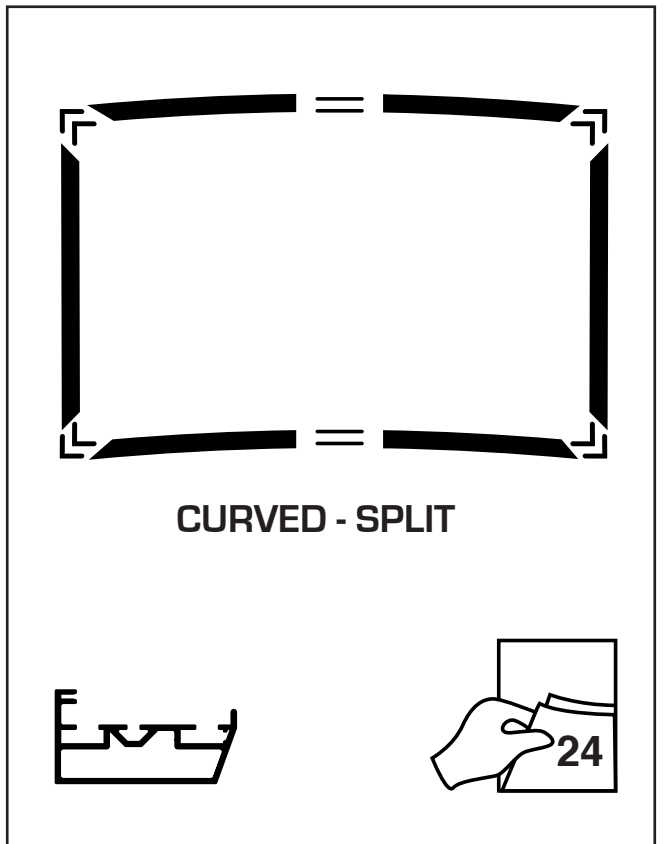
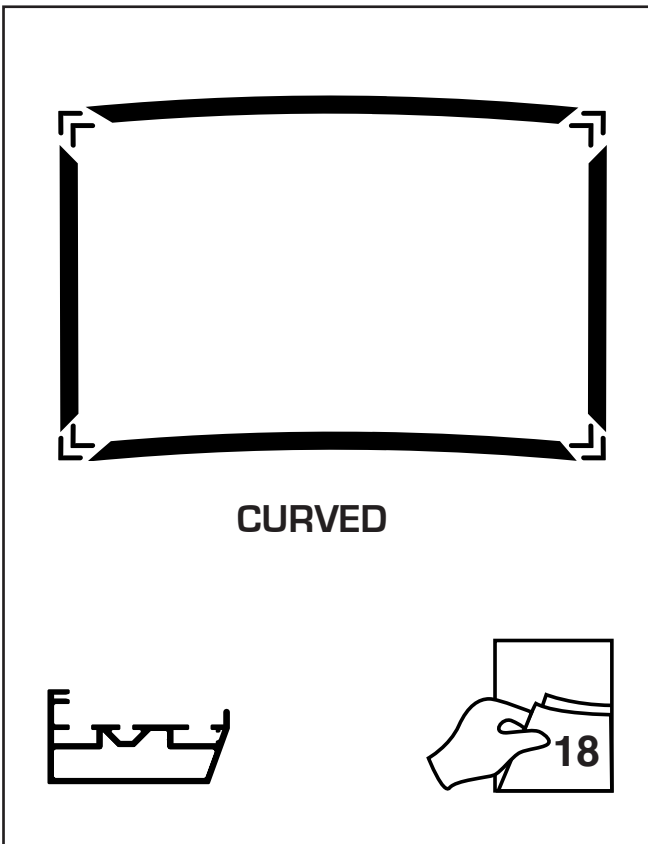
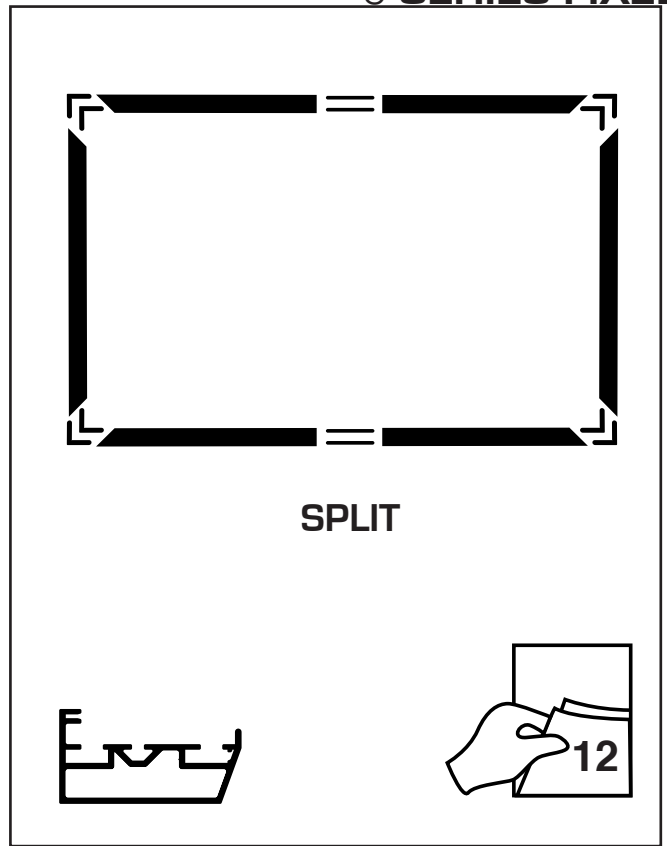
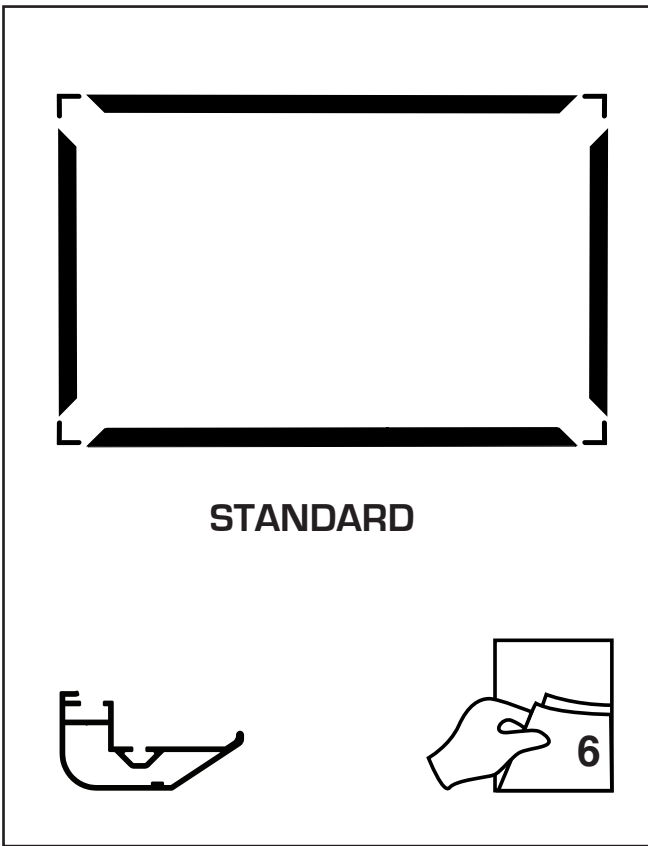
512-832-6939

9715-B Burnet Road Suite 400, Austin, TX 78758

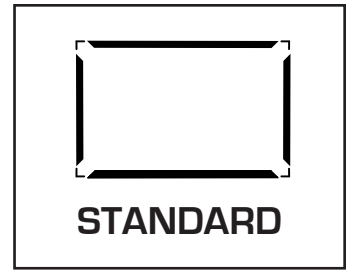
SCREENINNOVATIONS.COM

5 SERIES FIXED Projector Placement

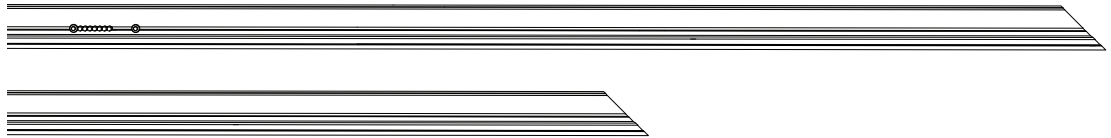




Frame Installation



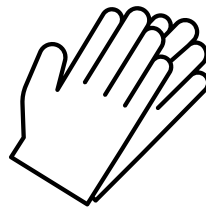
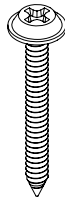
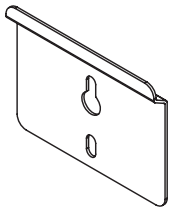
2X



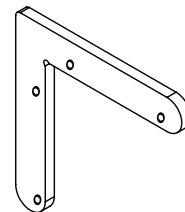
1X



Hardware Kit



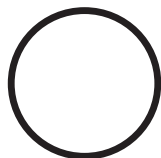
1X



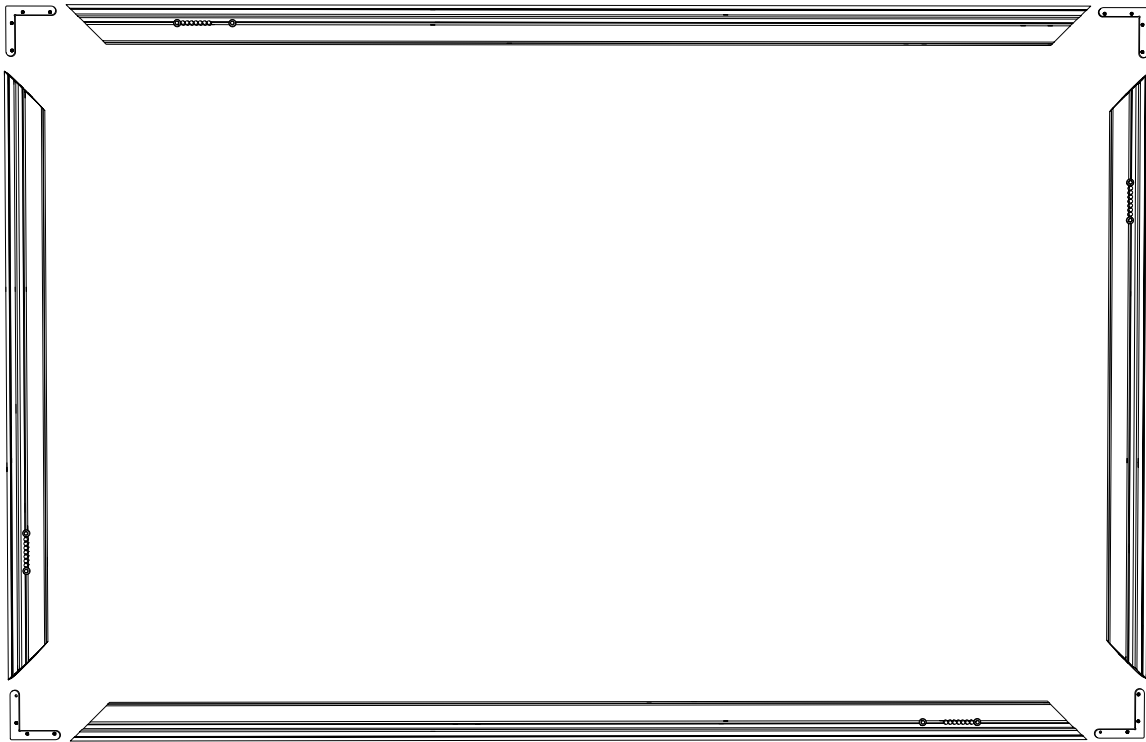
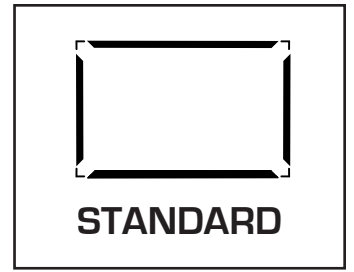
4X

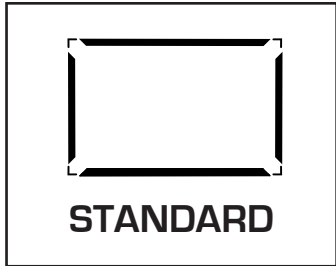


2X

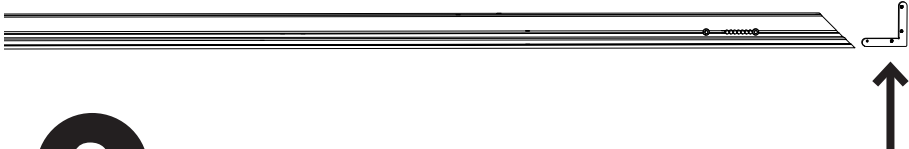
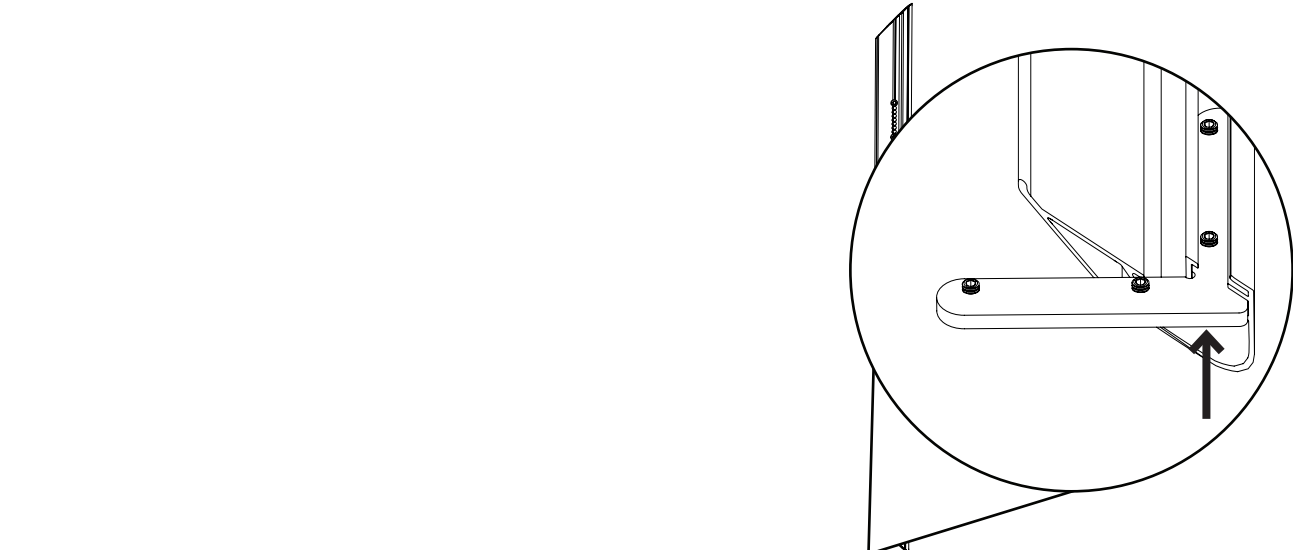
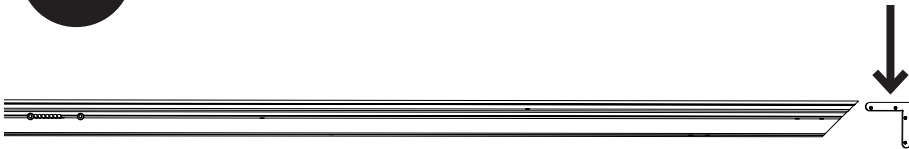


(MAESTRO ONLY)

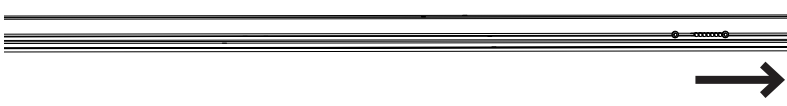




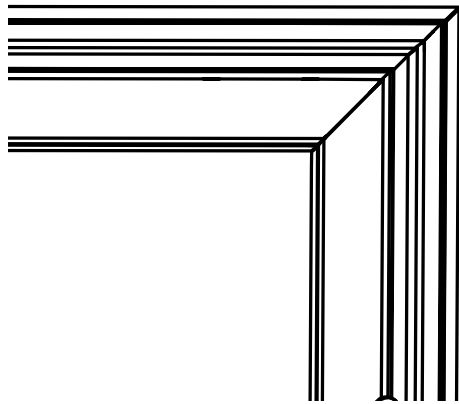
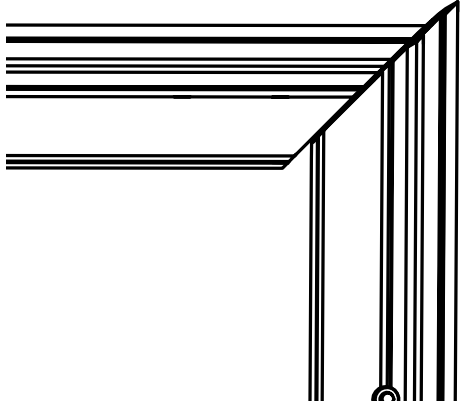
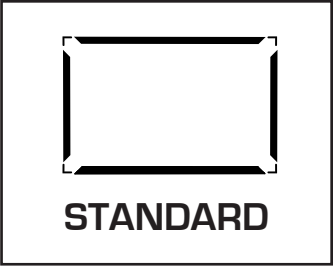
1



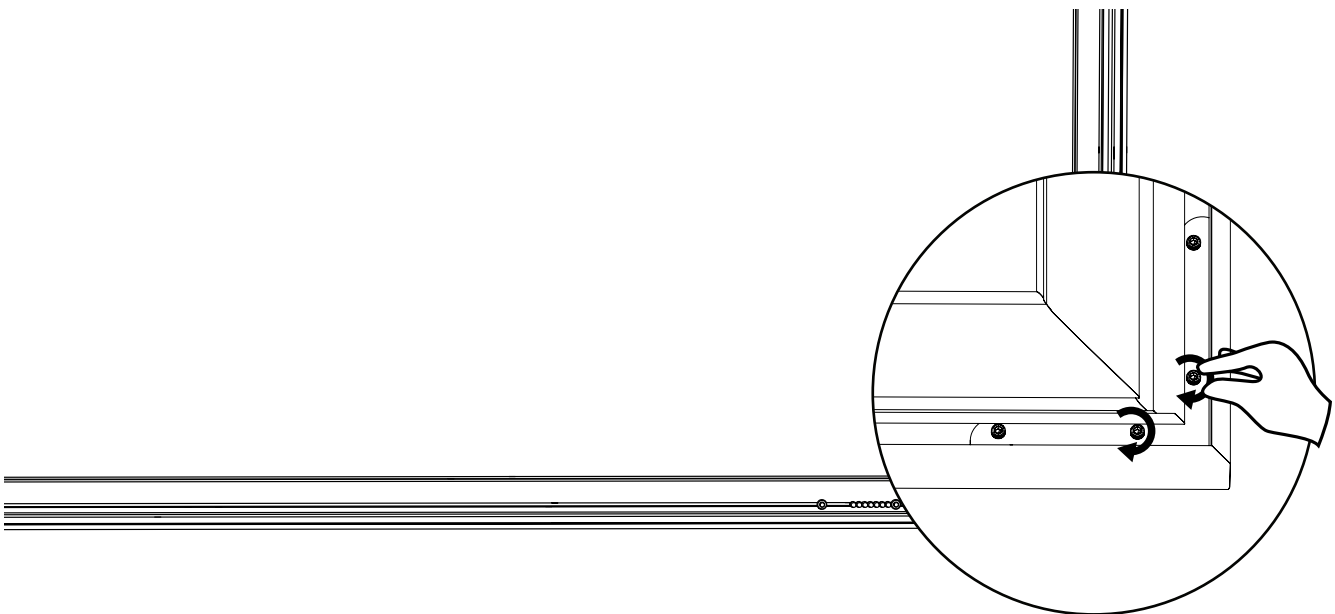
2



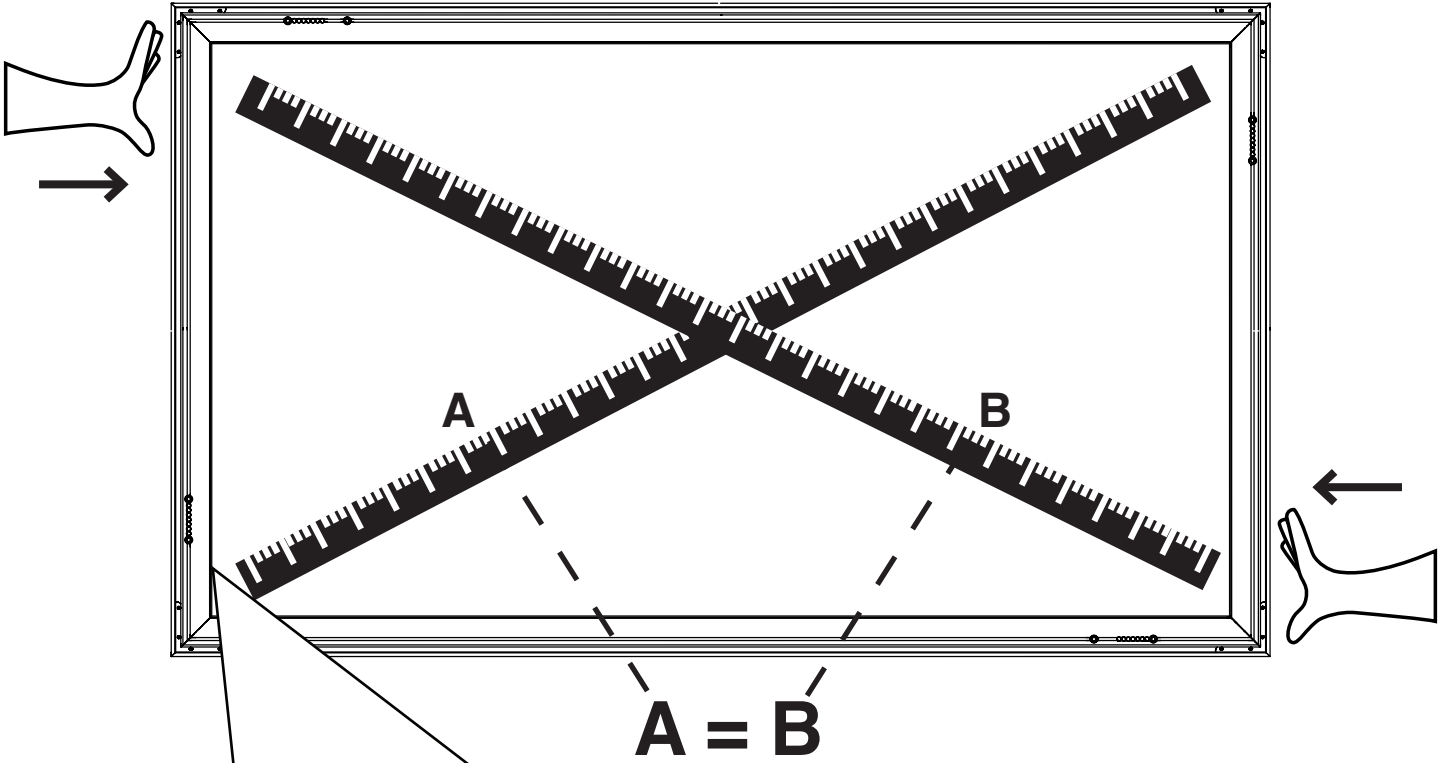
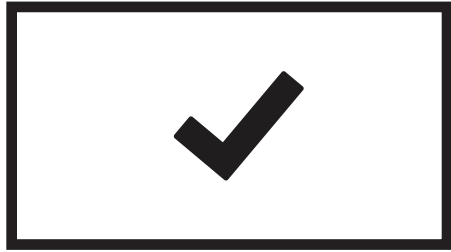
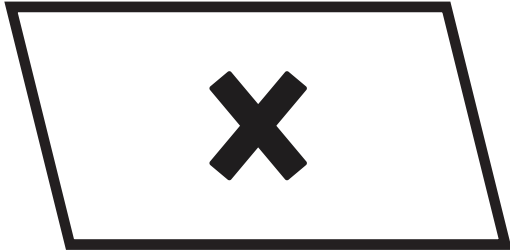
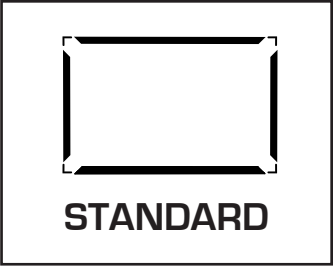
3



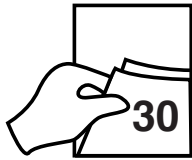
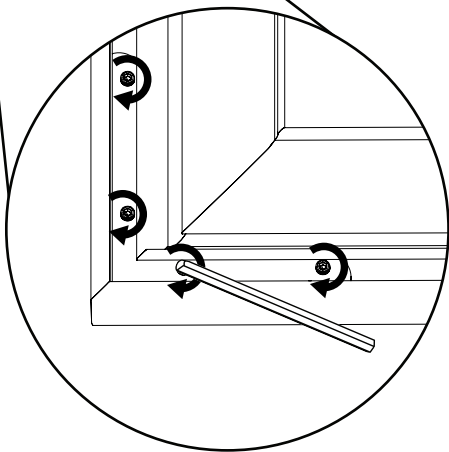
4



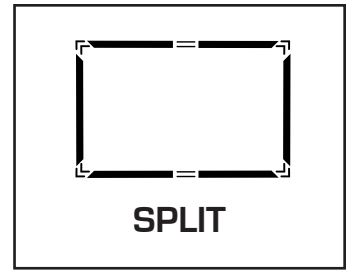
5



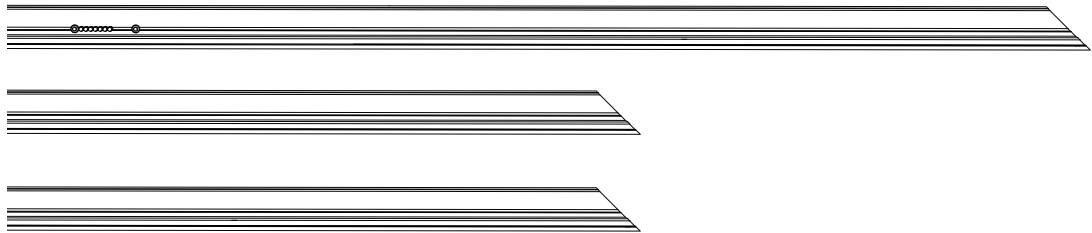
6



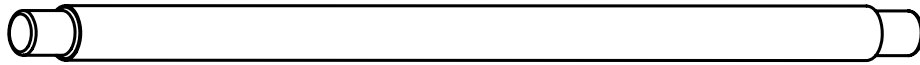
Frame Installation



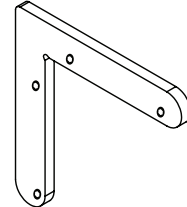
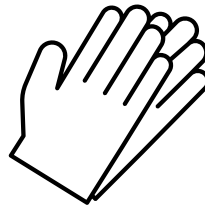
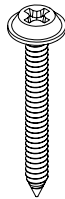
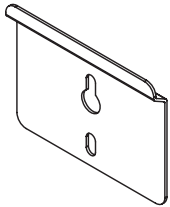
2X



1X

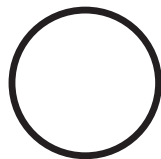


Hardware Kit

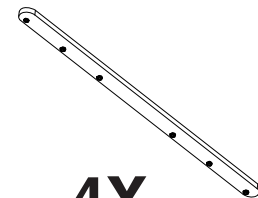
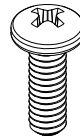


1X

4X



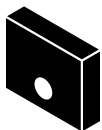
(MAESTRO ONLY)



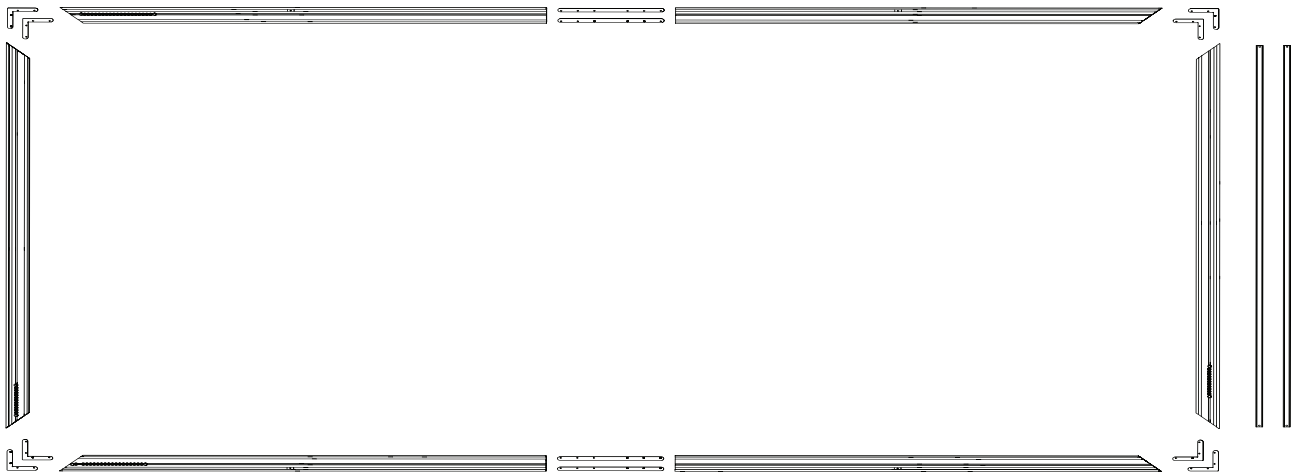
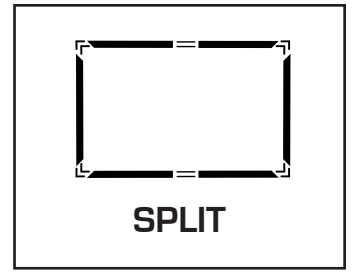
2X

4X

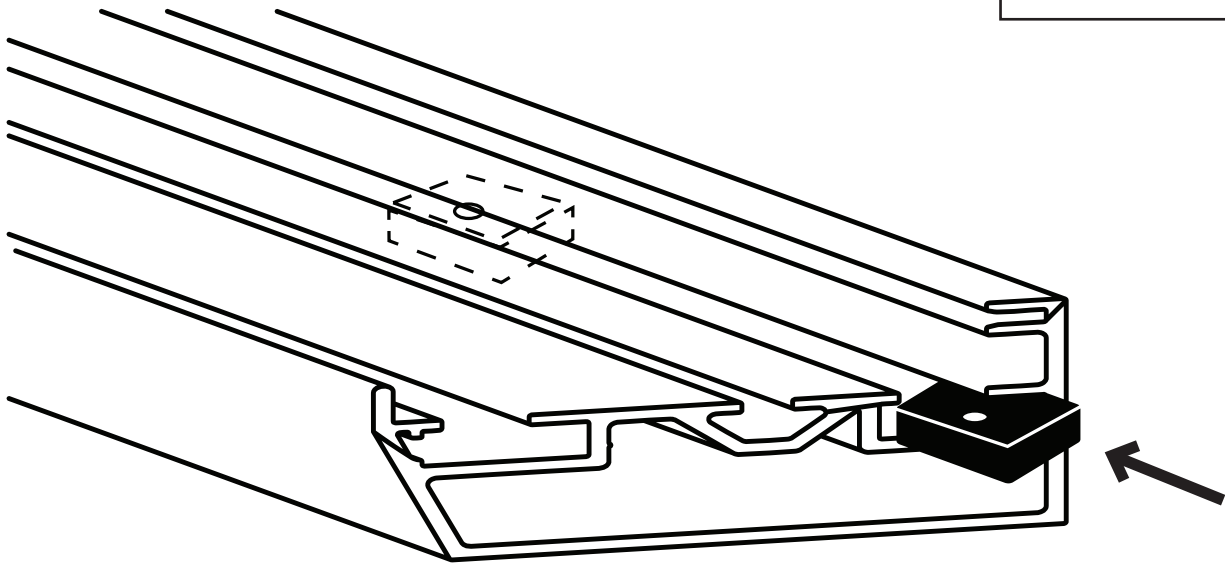
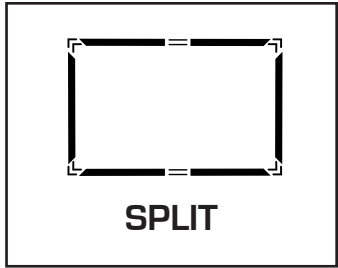
4X



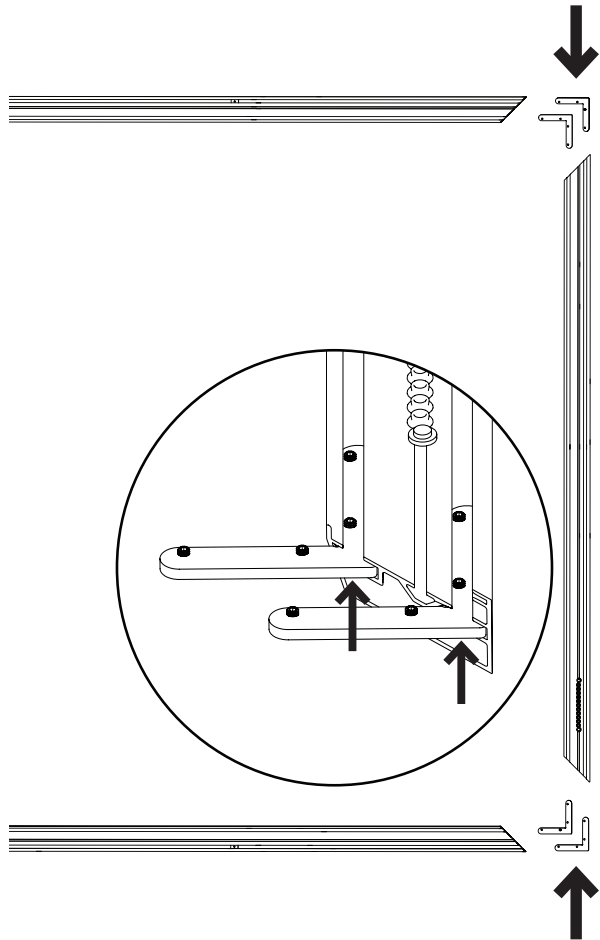
4X



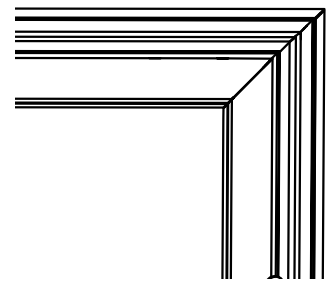
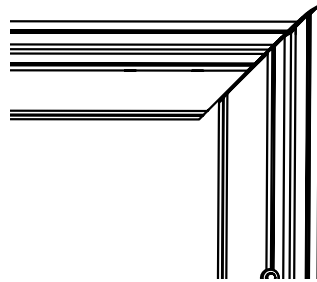
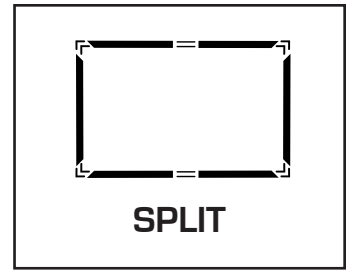
1



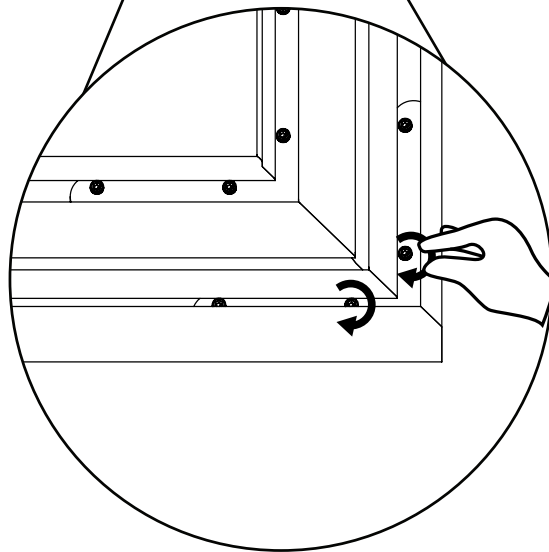
2

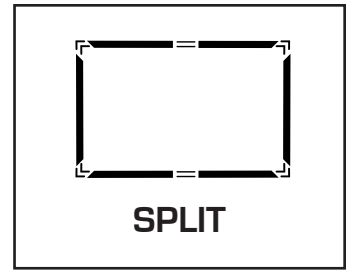


3

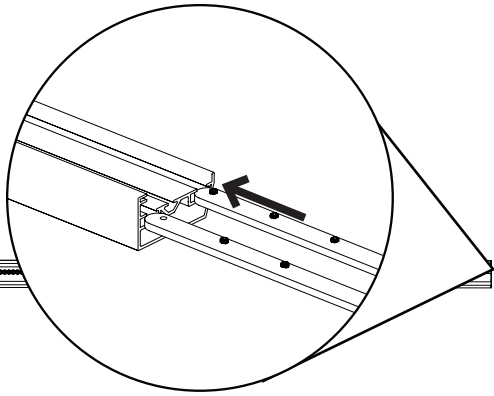


4

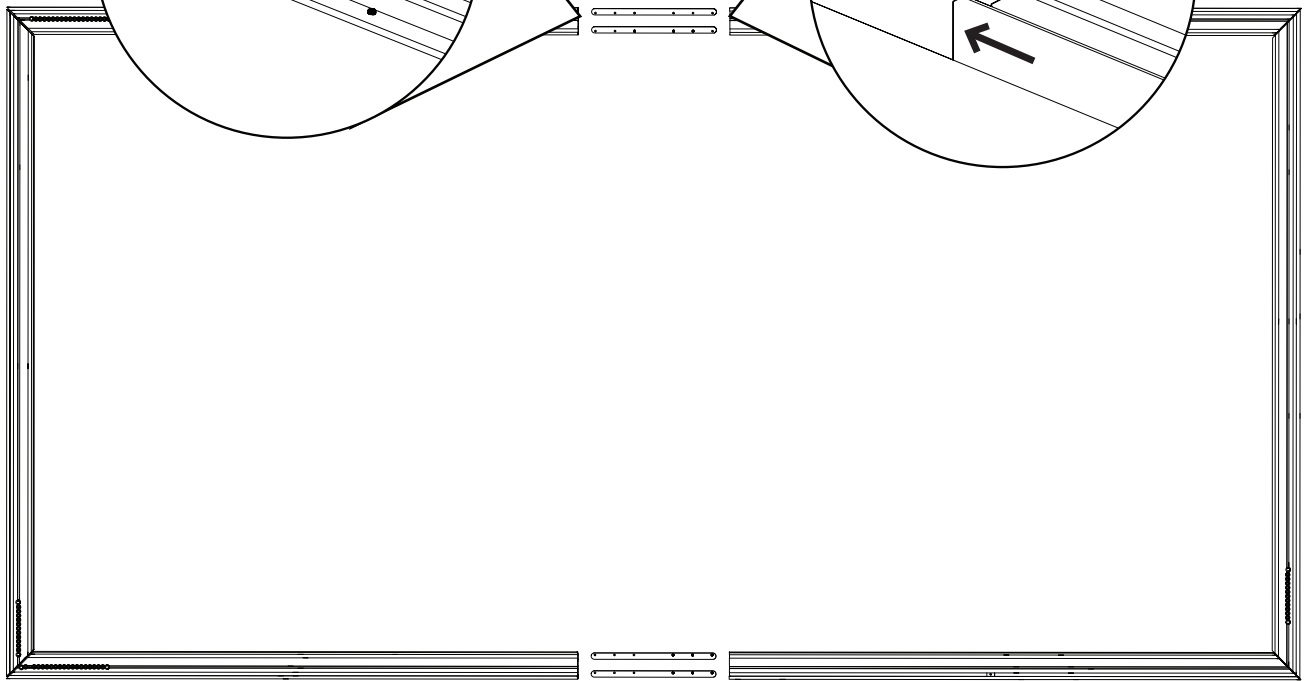
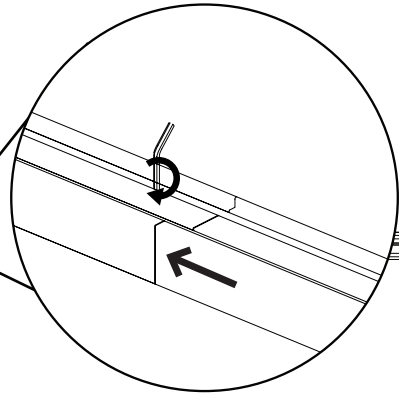




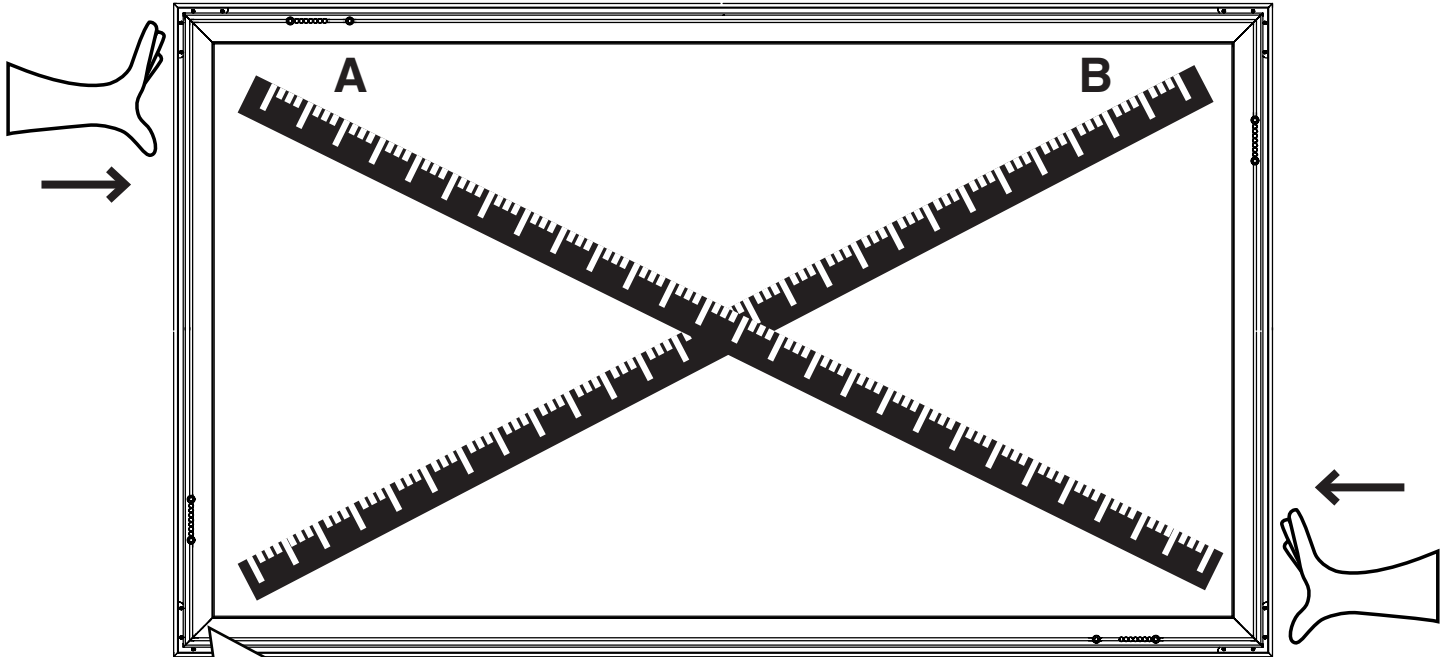
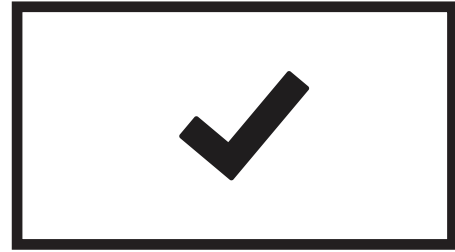
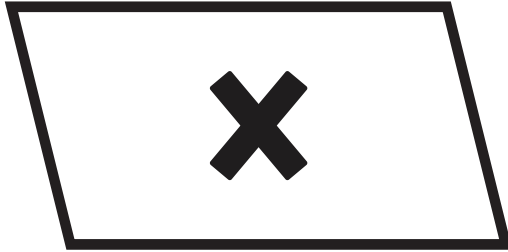
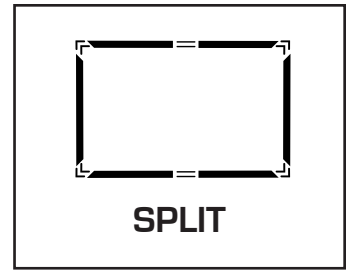
5



6

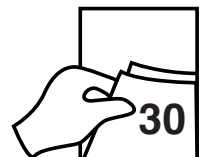
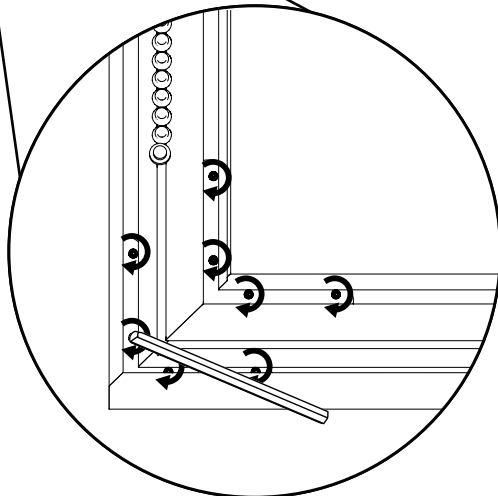


7

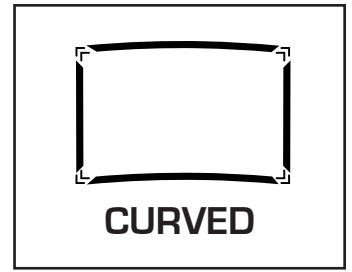


$A = B$

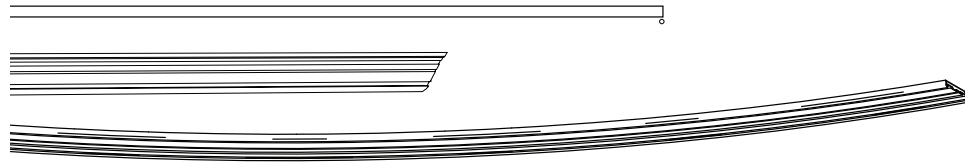
8



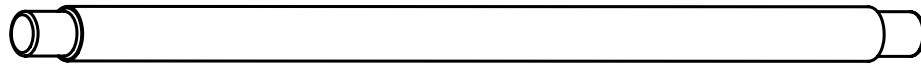
Frame Installation



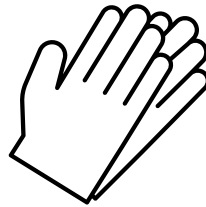
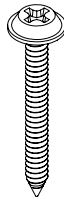
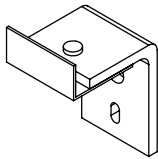
2X



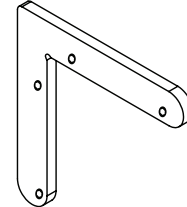
1X



Hardware Kit



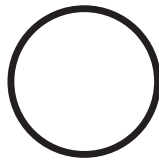
1X



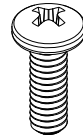
8X



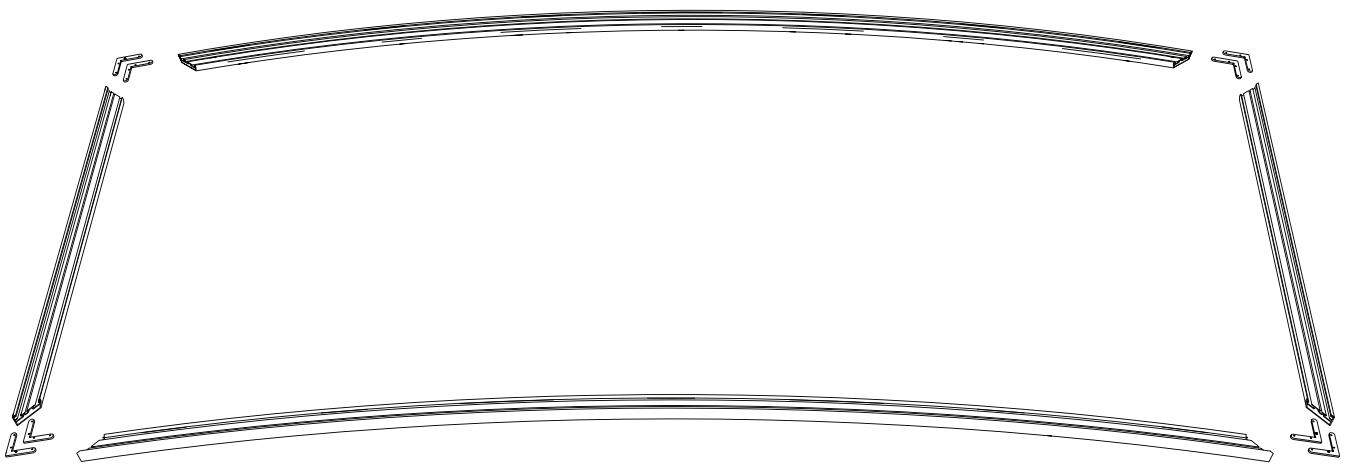
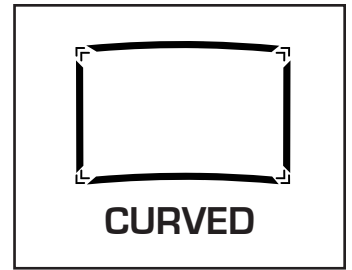
2X



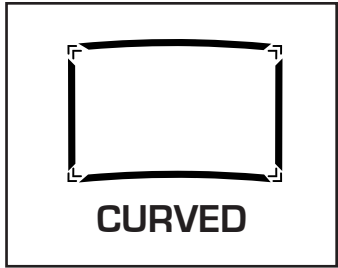
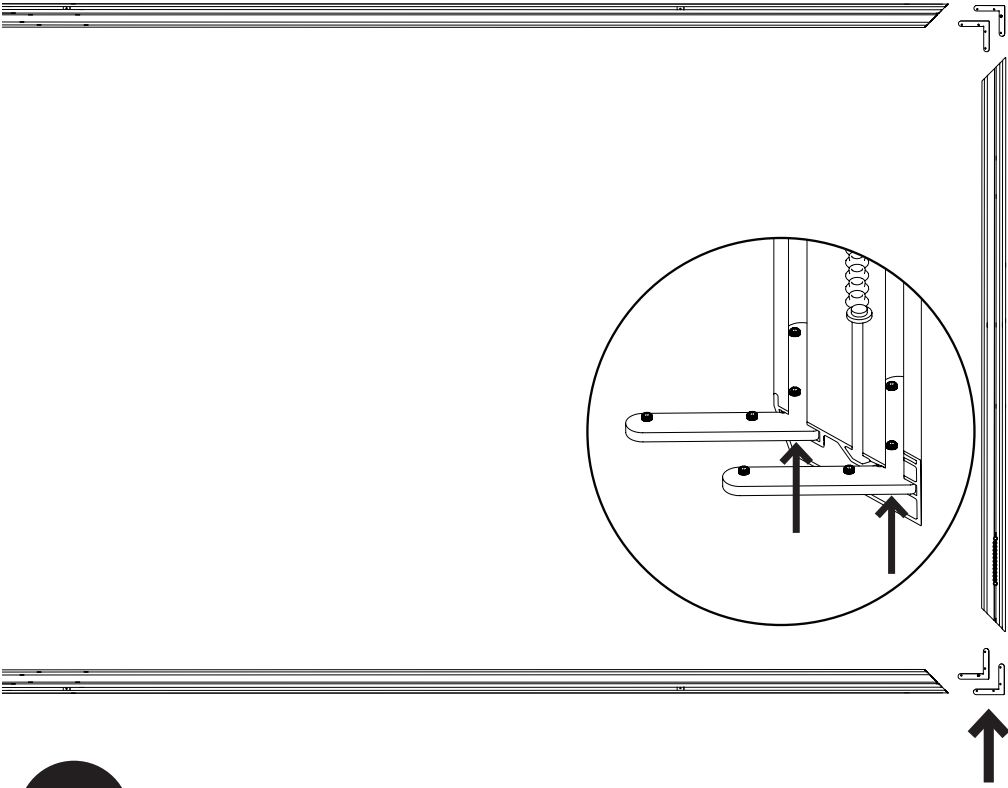
(MAESTRO ONLY)



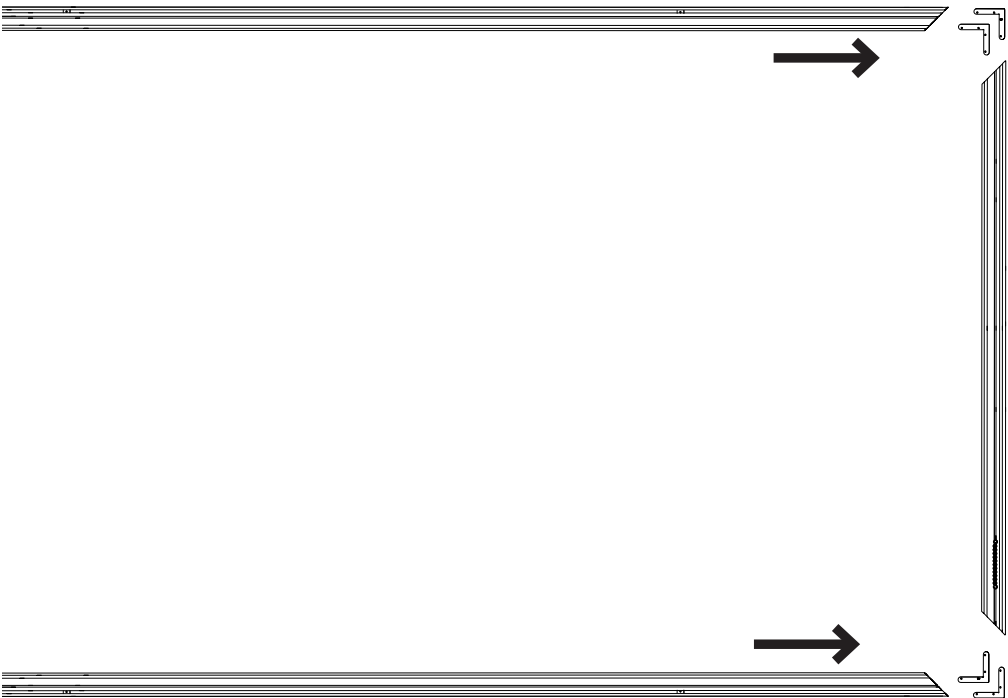
4X



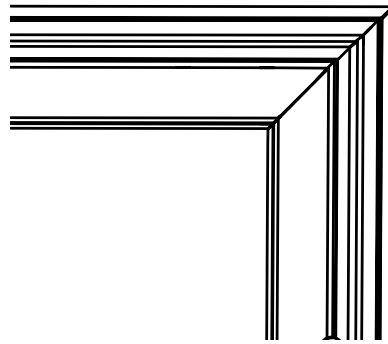
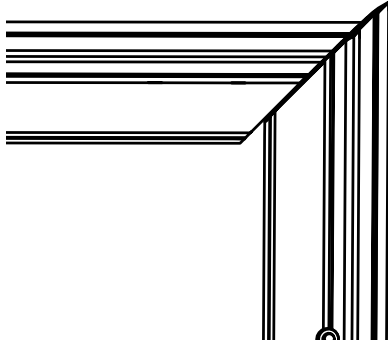
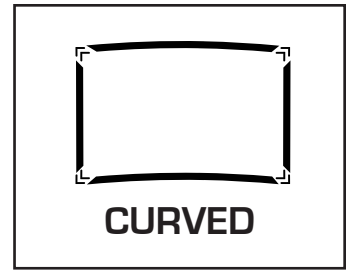
1



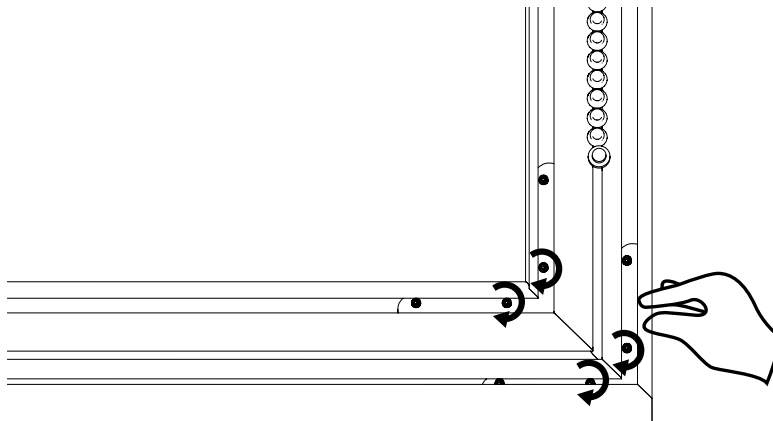
2



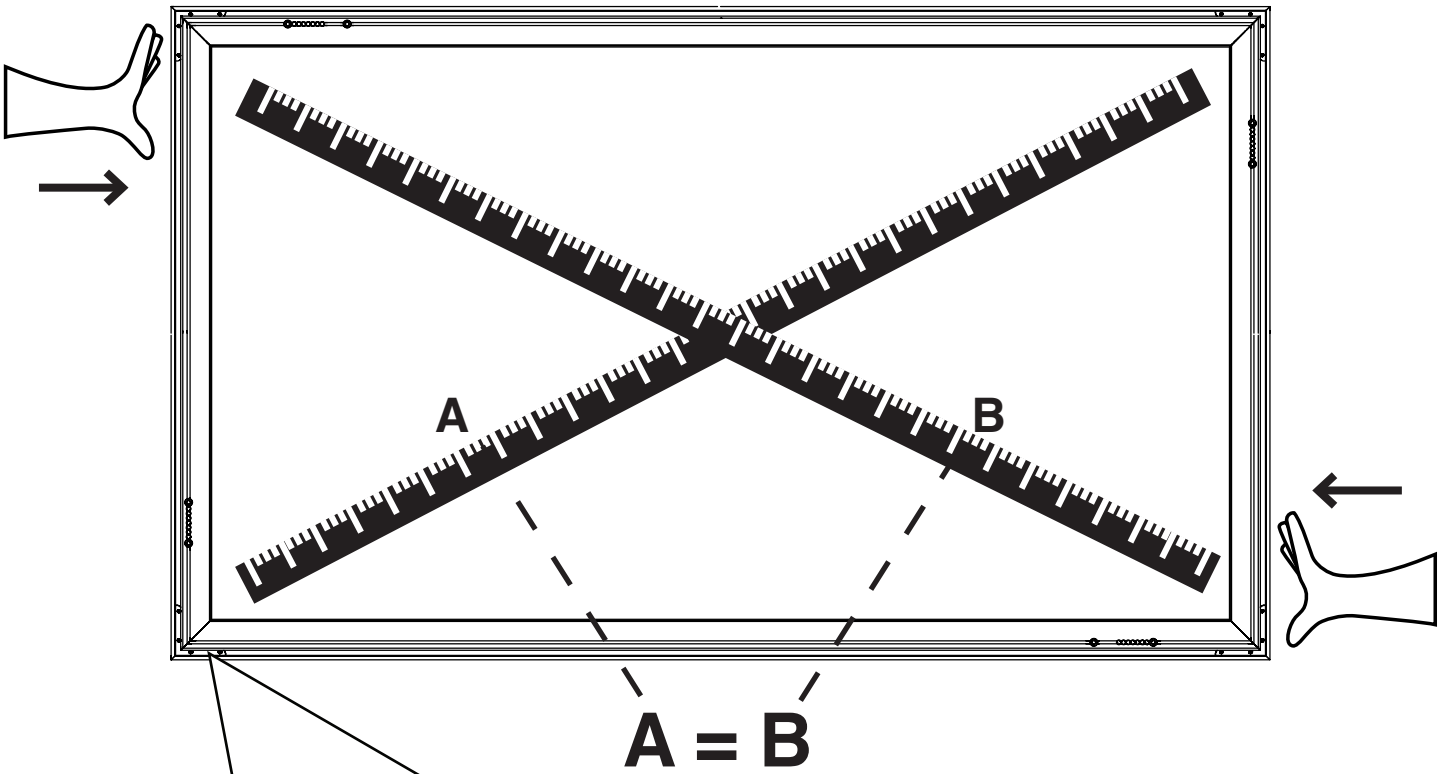
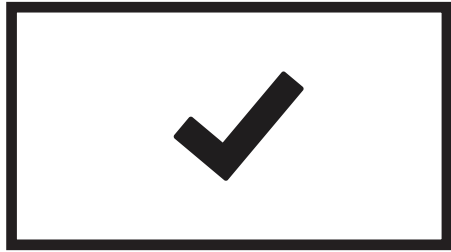
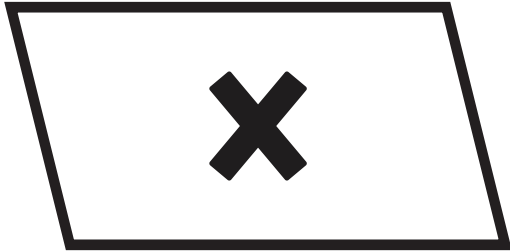
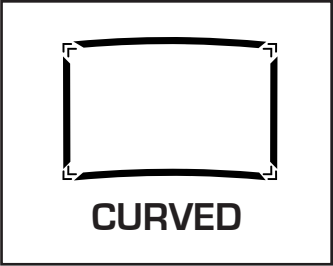
3



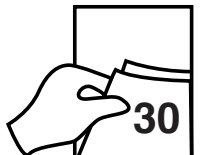
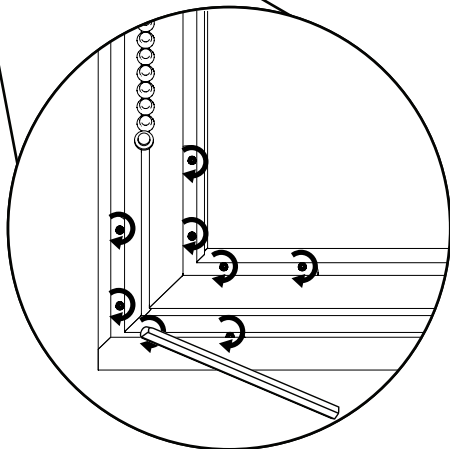
4



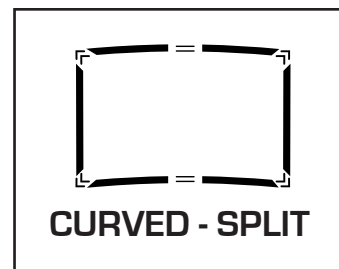
5



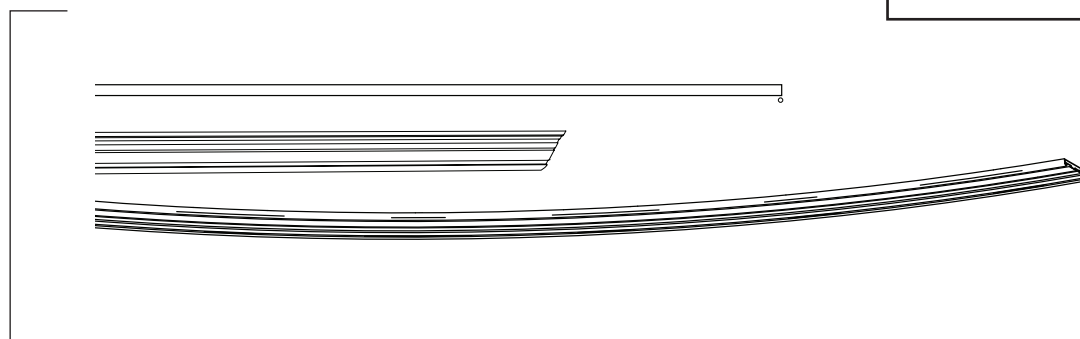
6



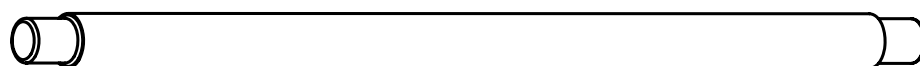
Frame Installation



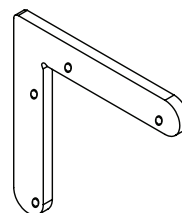
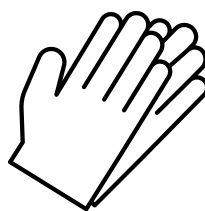
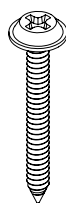
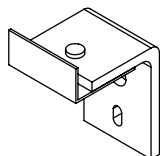
2X



1X



Hardware Kit

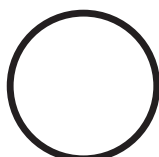


1X

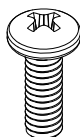
8X



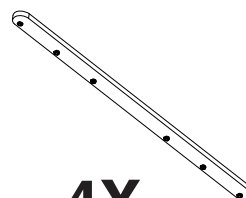
2X



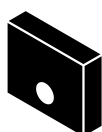
(MAESTRO ONLY)



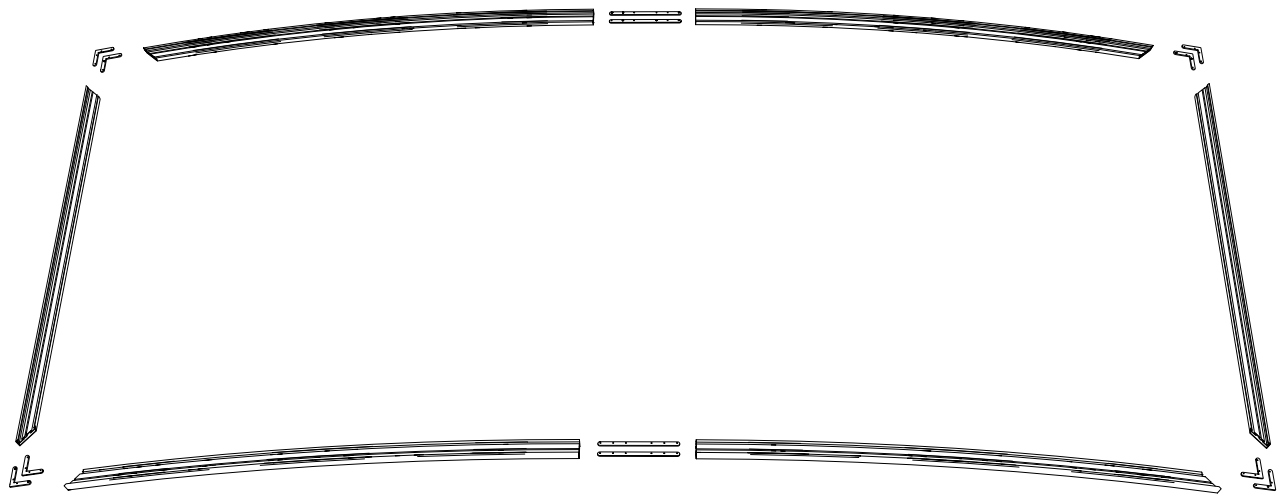
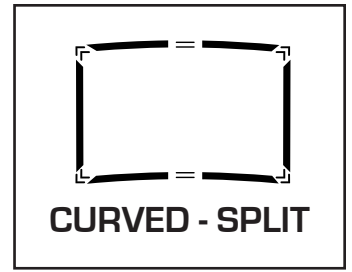
4X



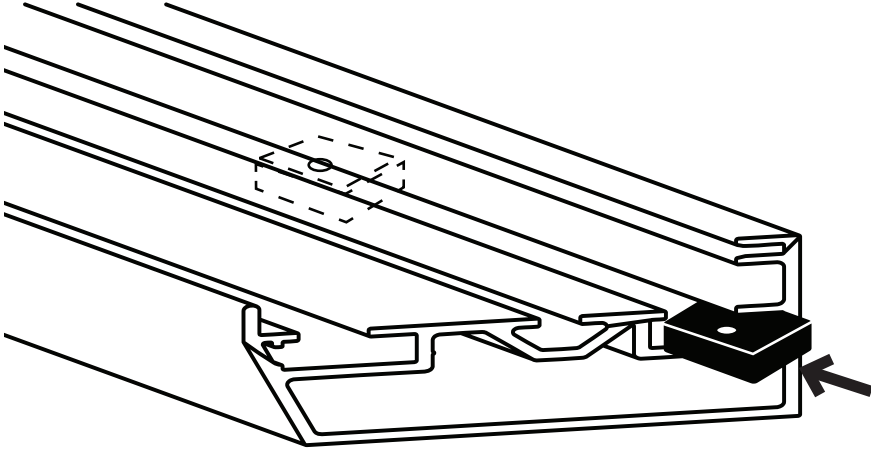
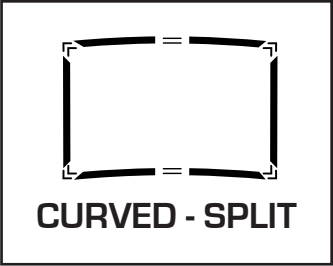
4X



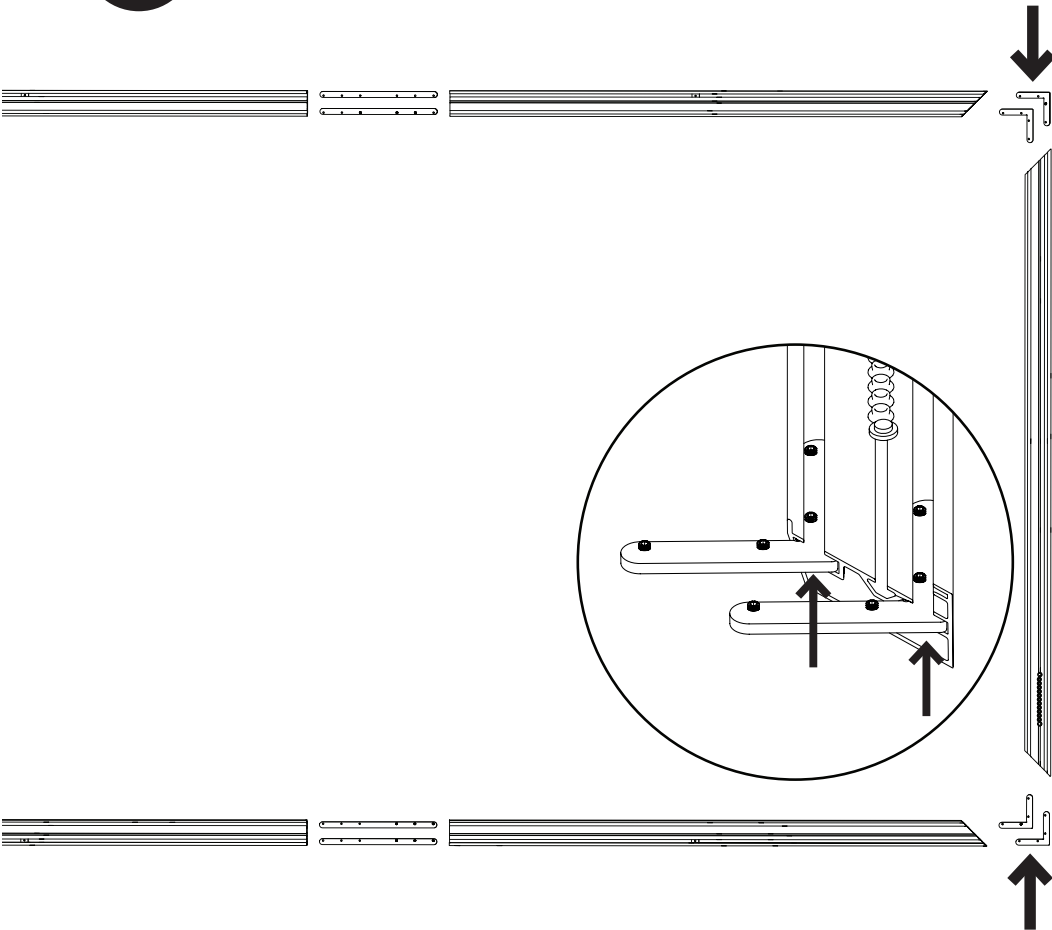
4X



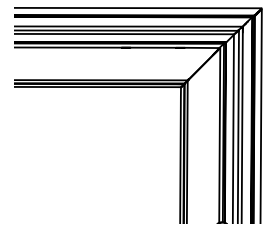
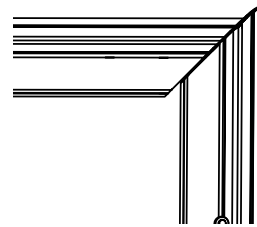
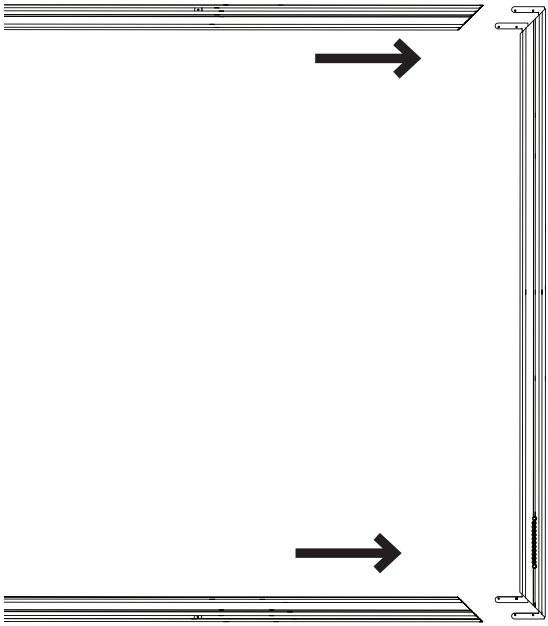
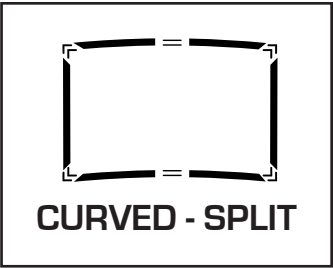
1



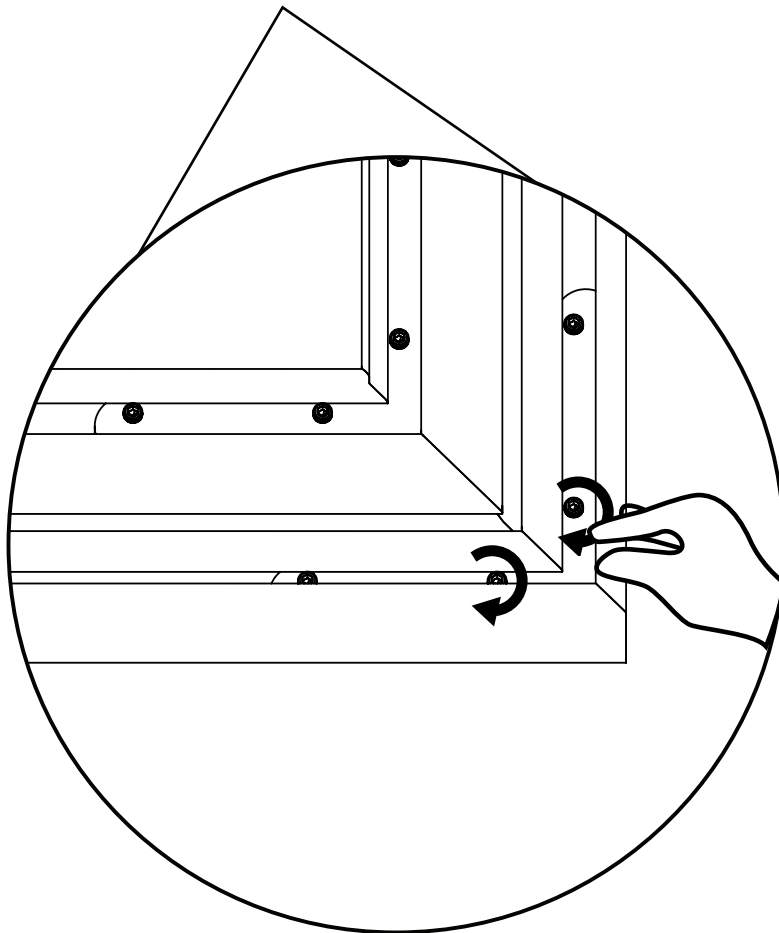
2

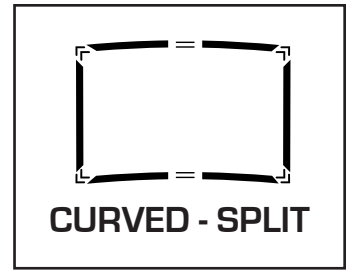


3

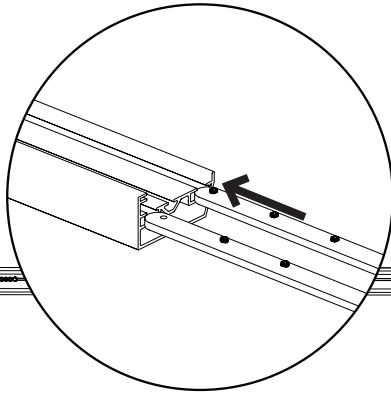


4

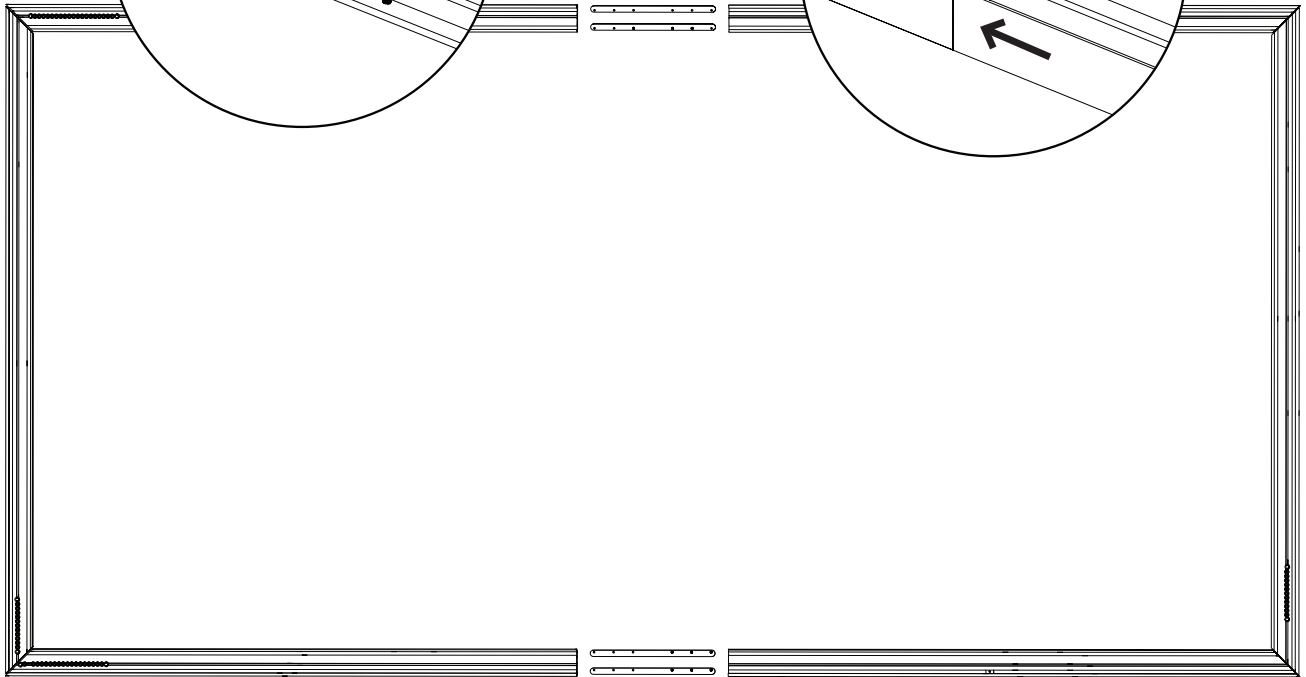
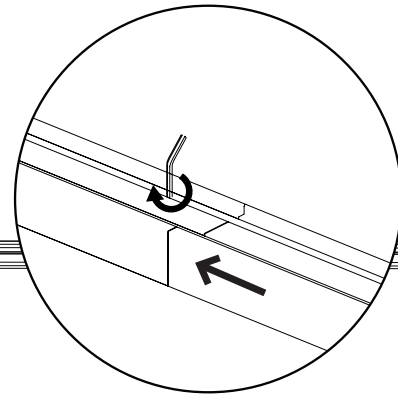




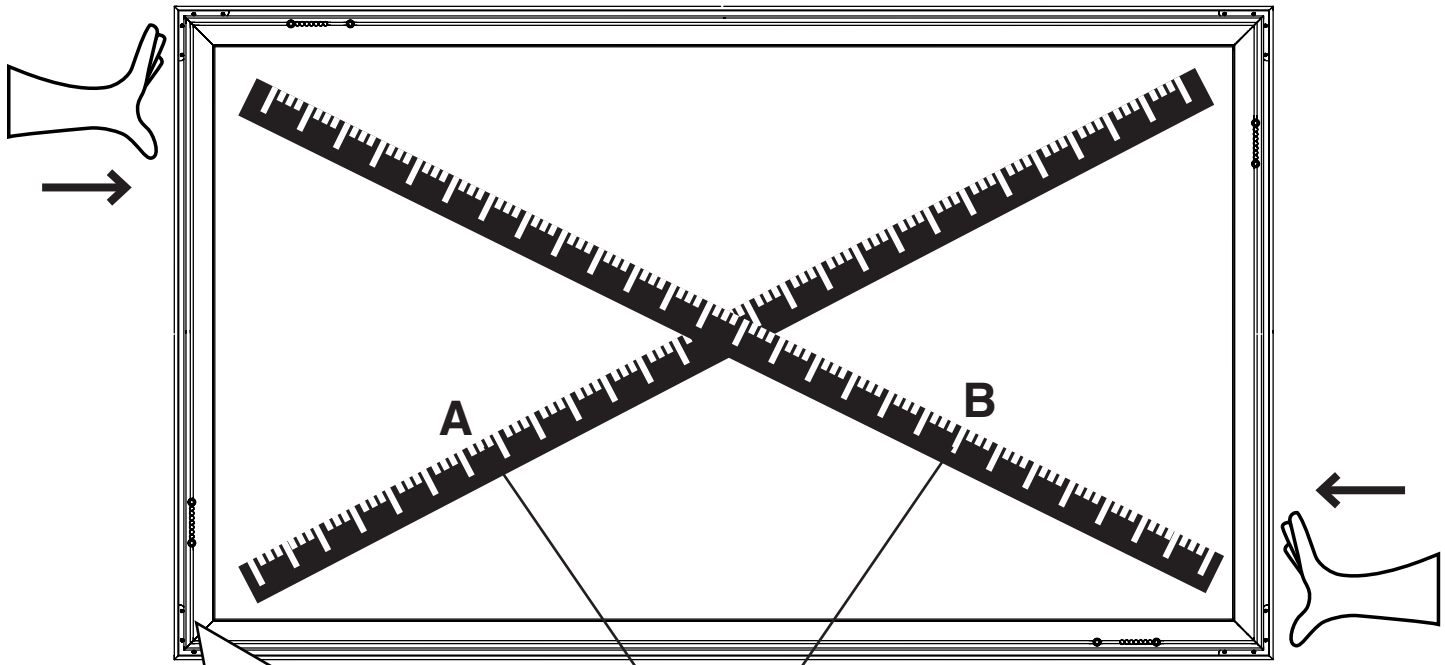
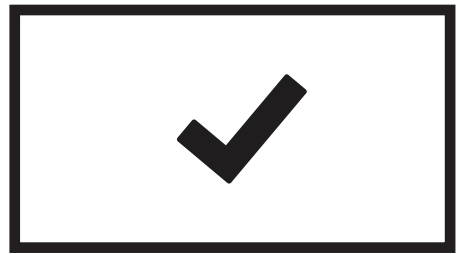
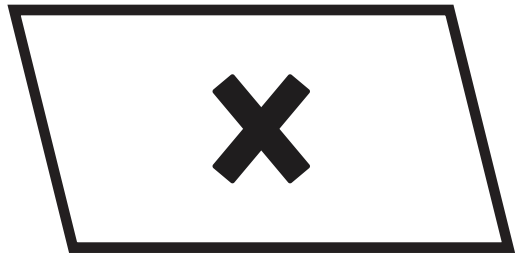
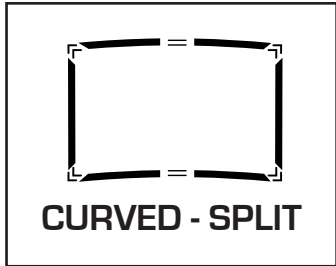
5



6

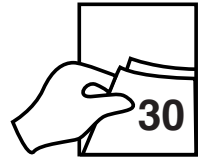
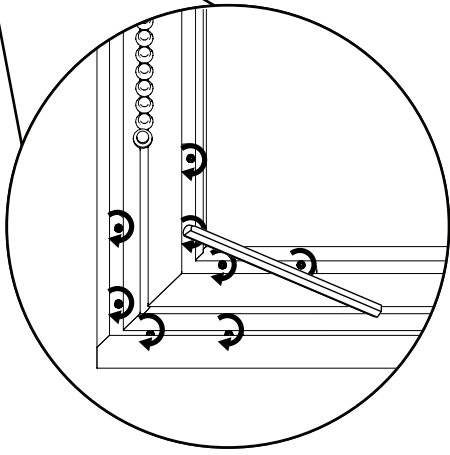


7



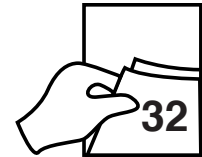
$A = B$

8



Material?

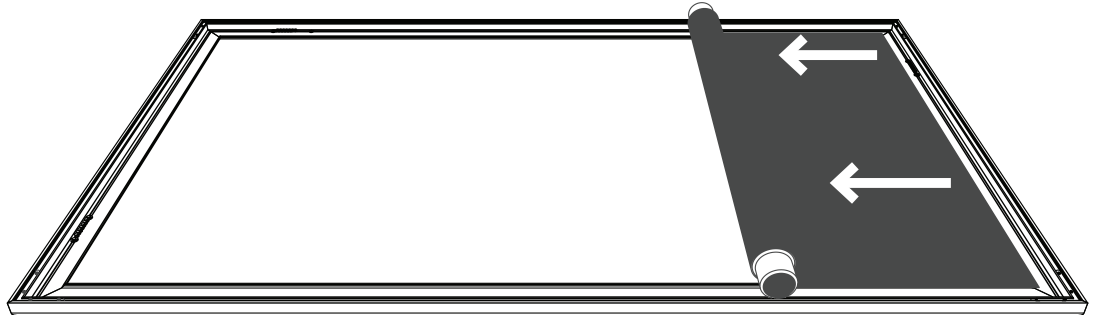
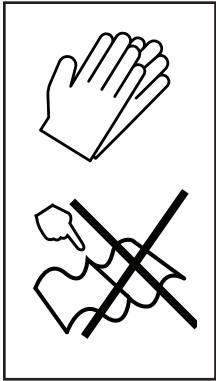
SLATE & PURE



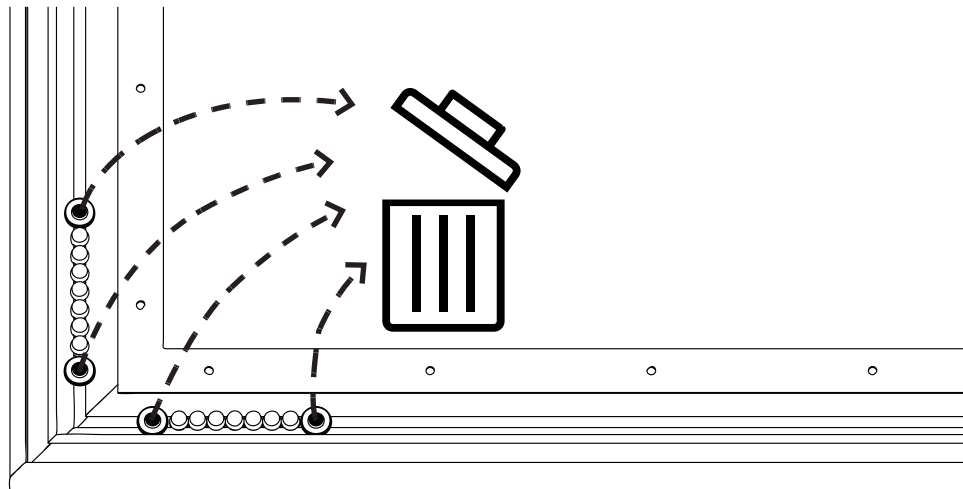
MAESTRO



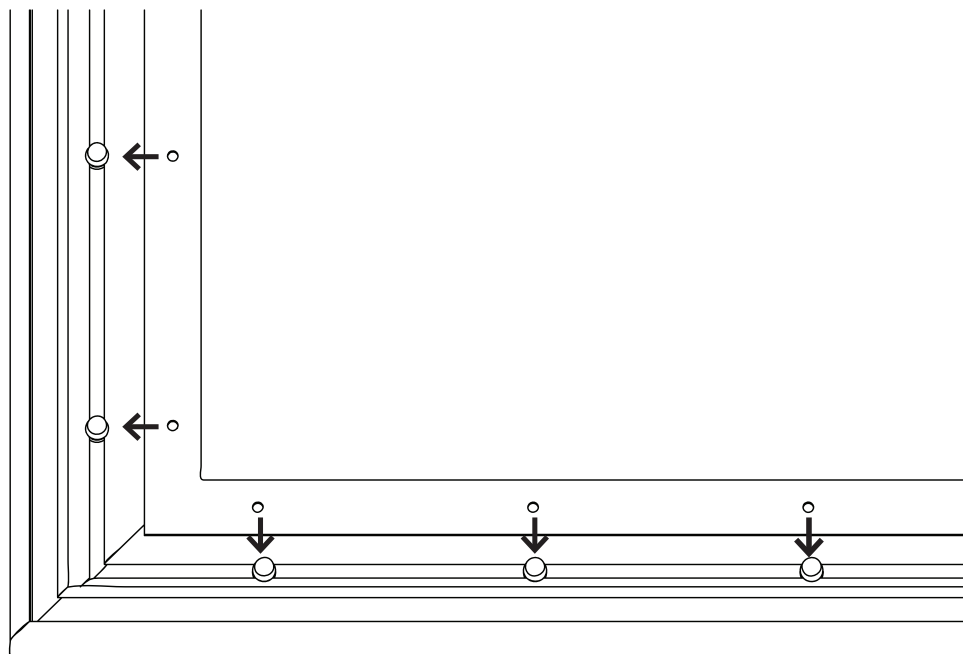
1



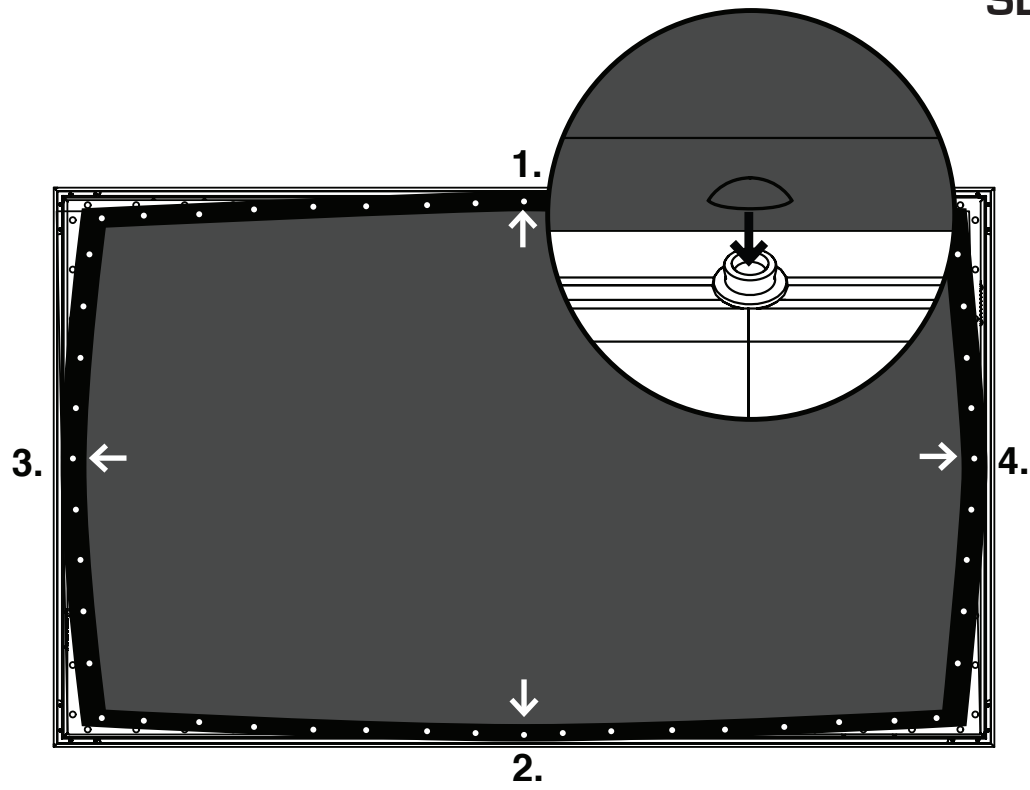
2



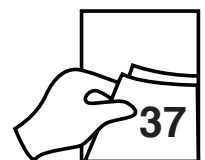
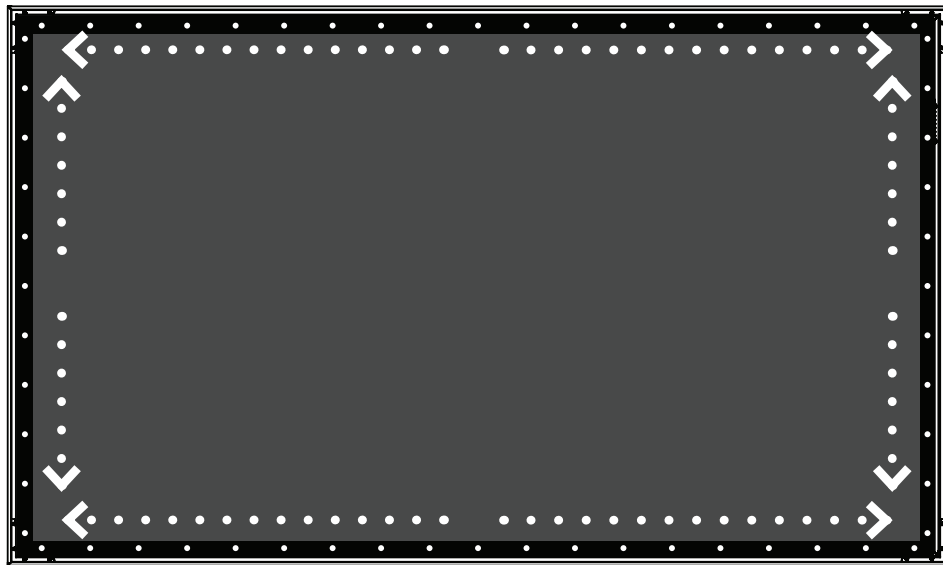
3



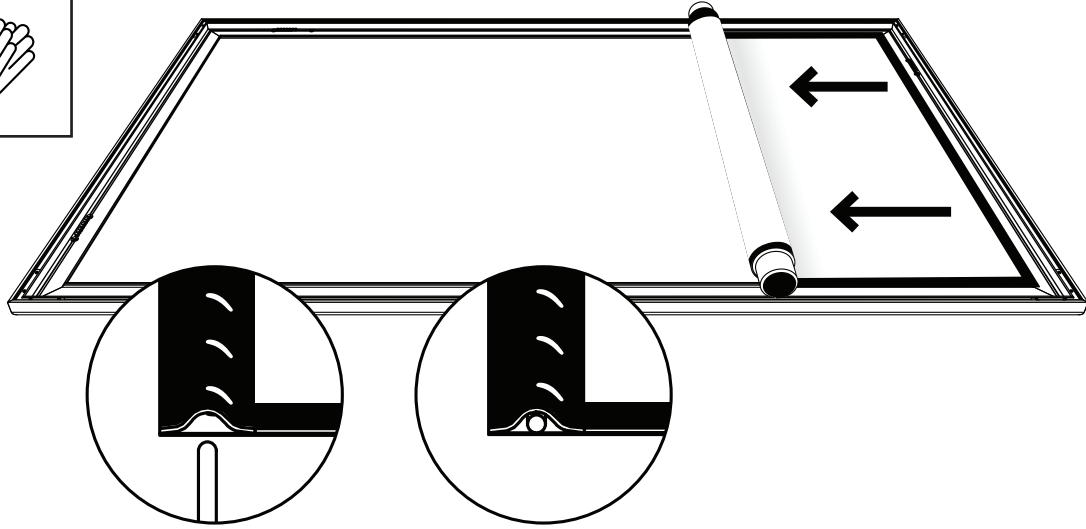
4



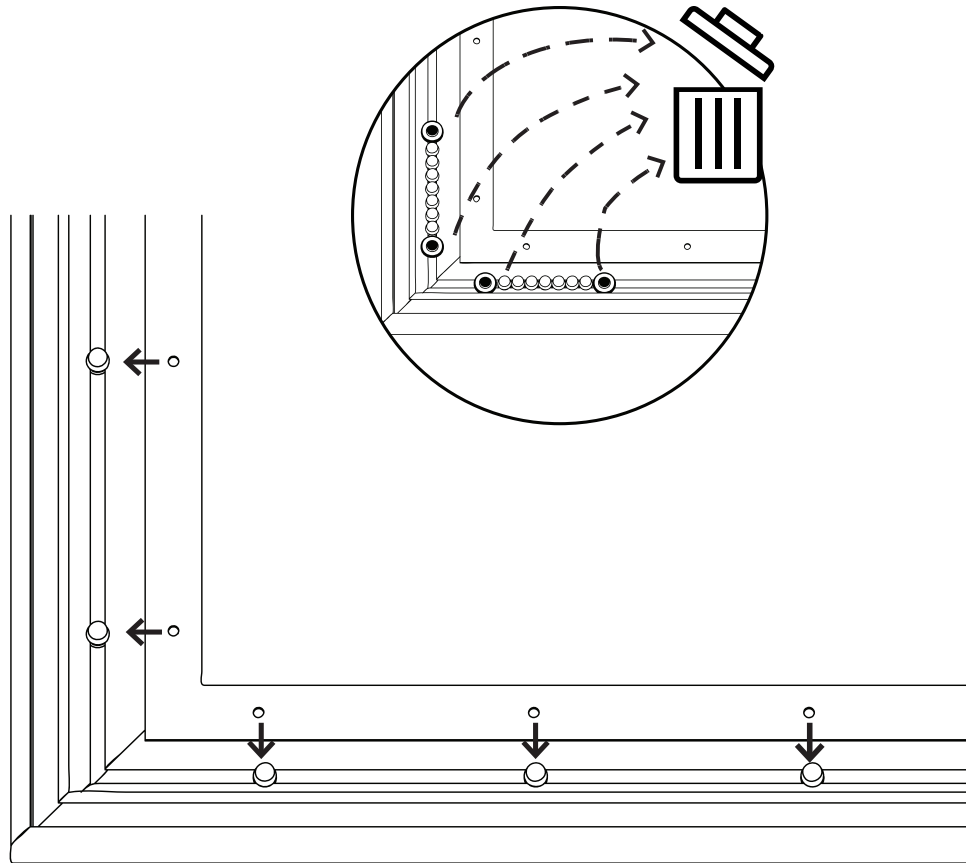
5



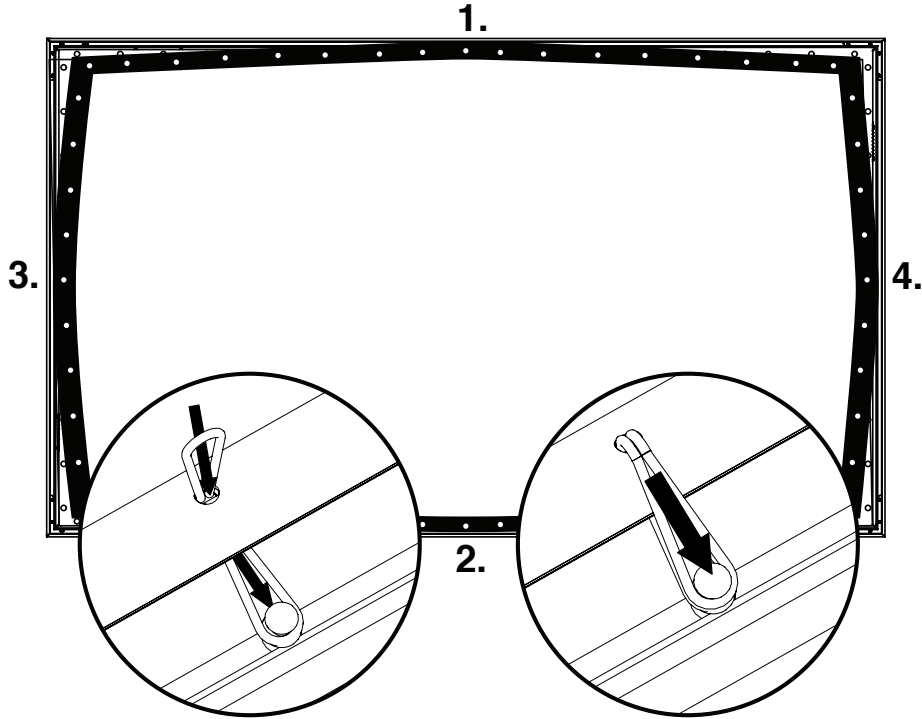
1



2



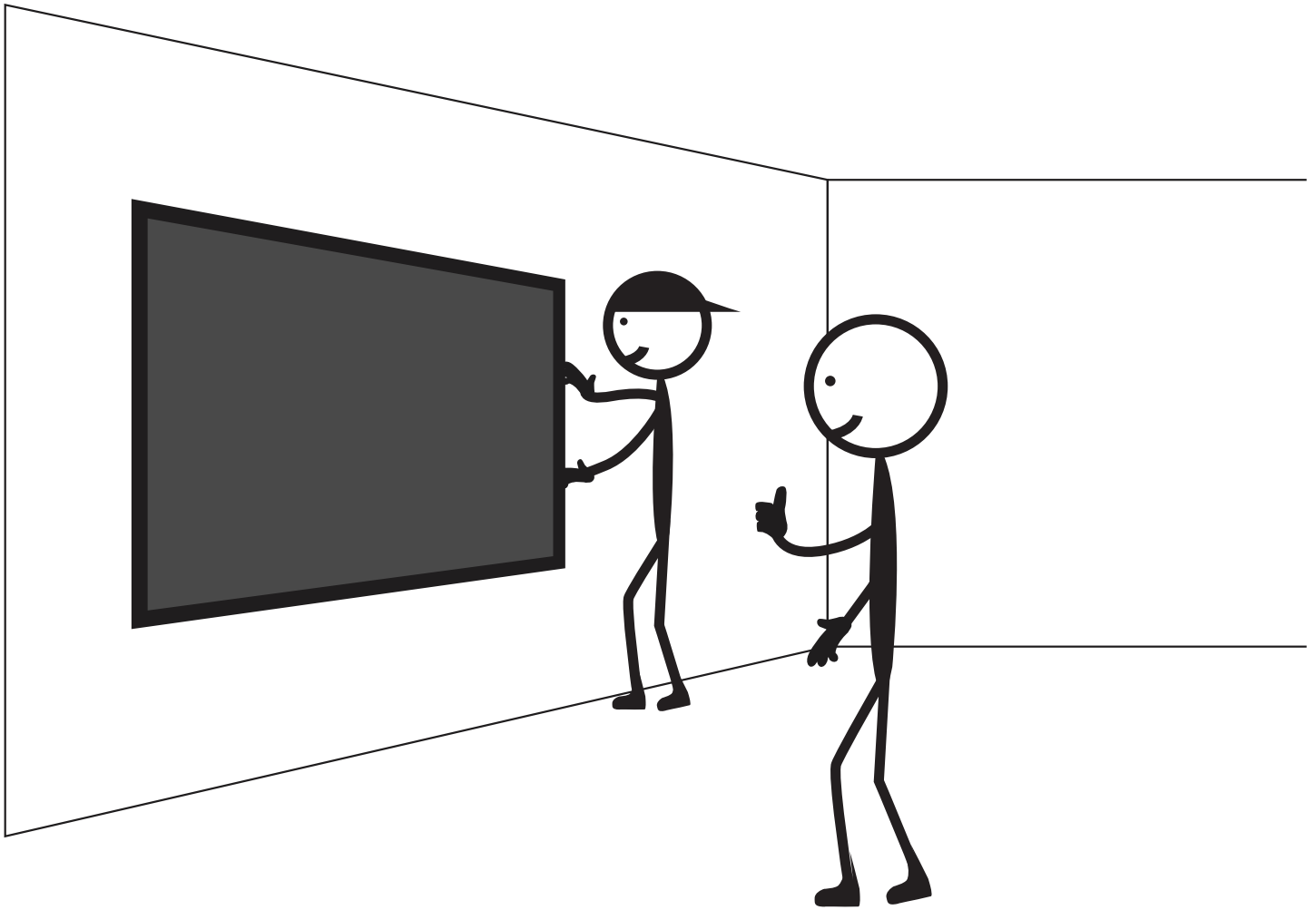
3

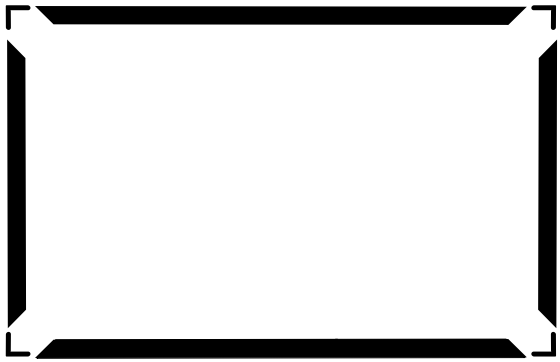


4

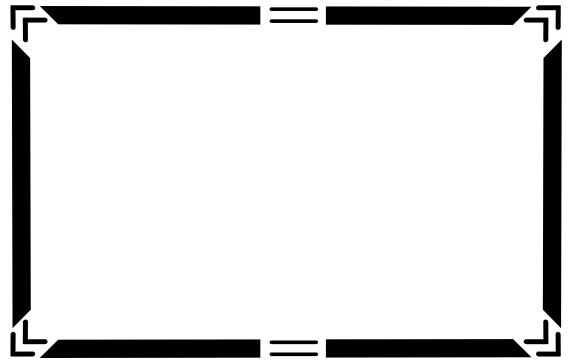
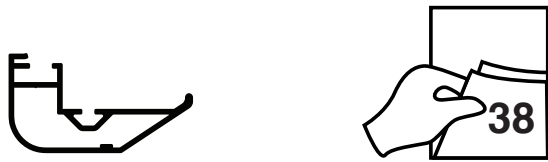


Screen Mounting

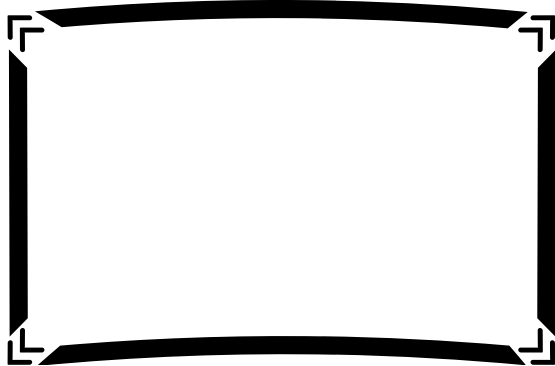




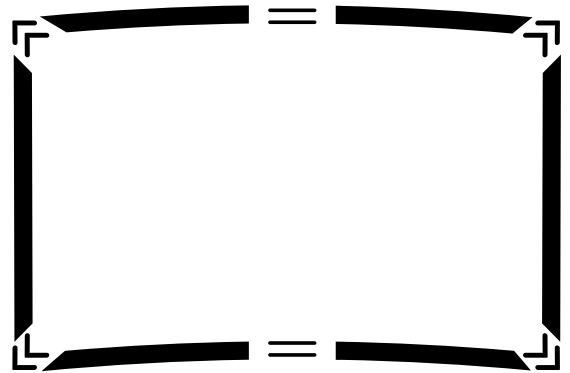
STANDARD



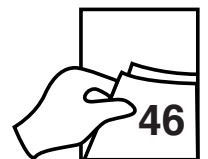
SPLIT



CURVED

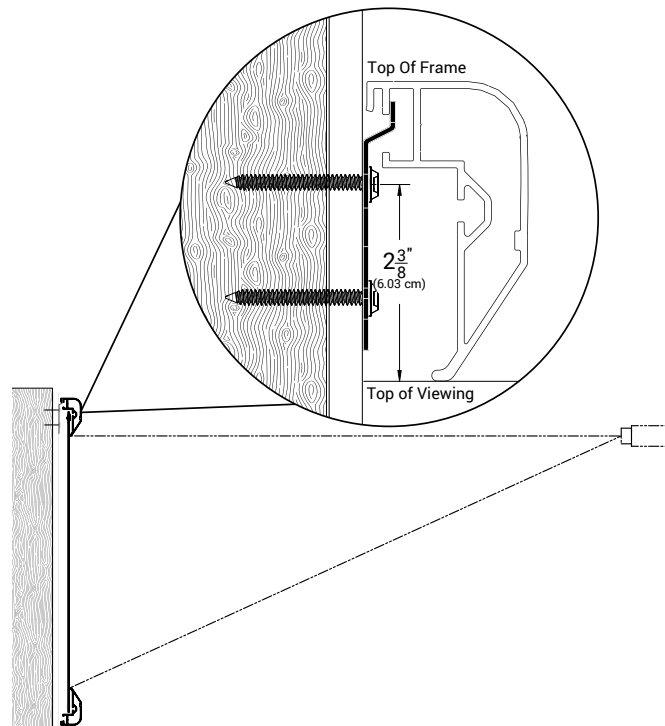
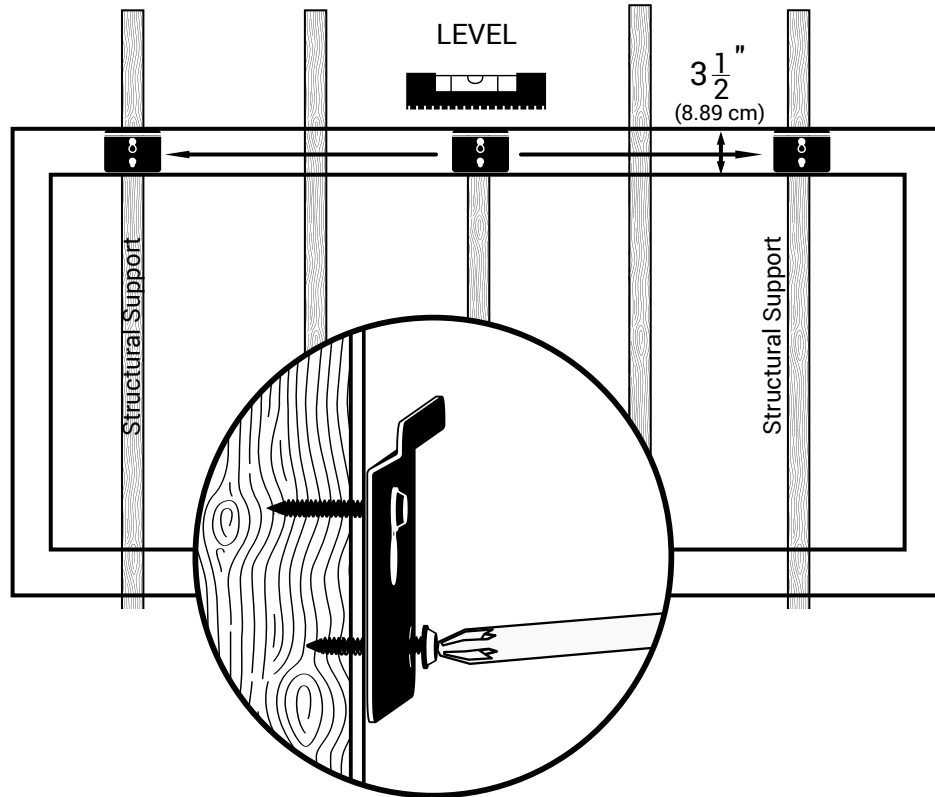
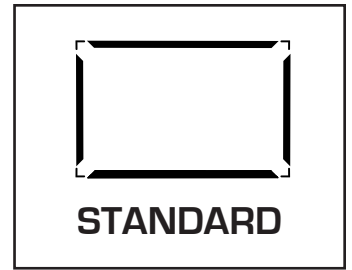


CURVED - SPLIT

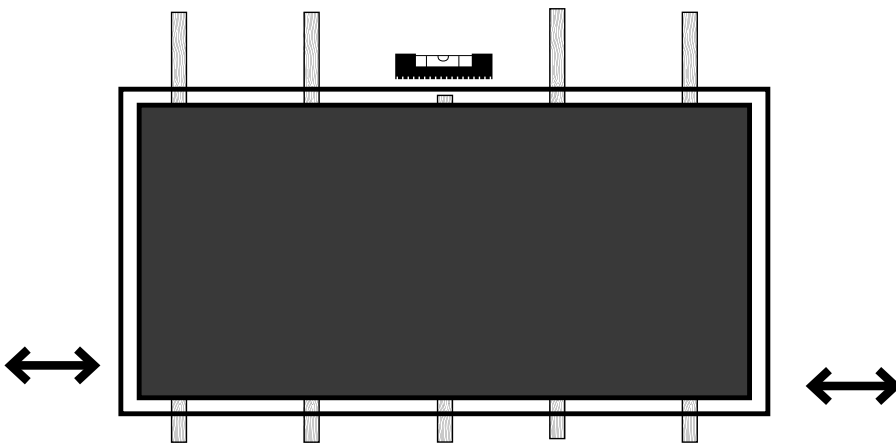
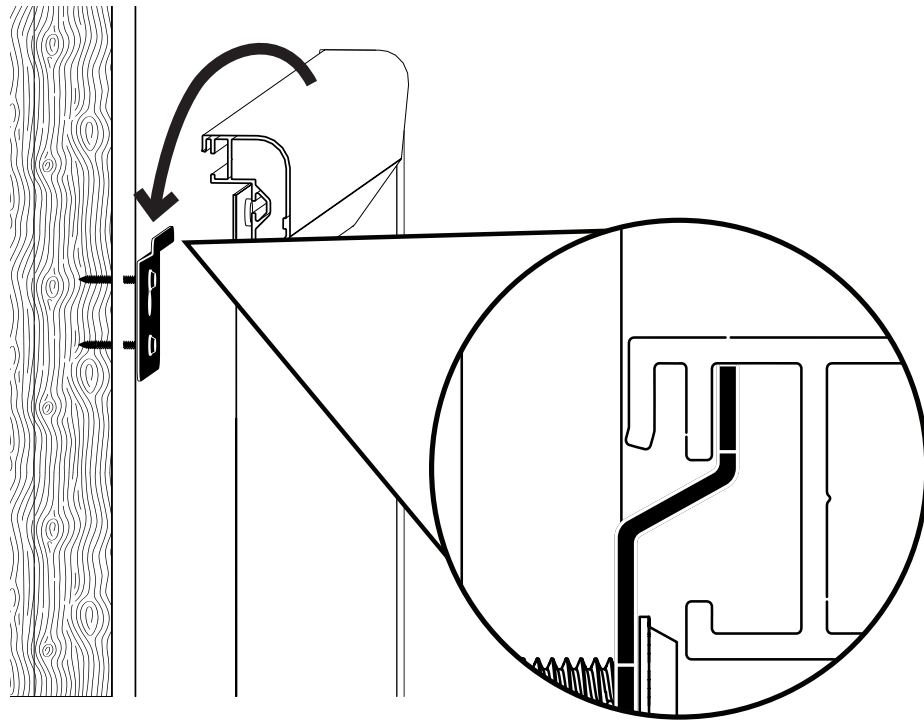
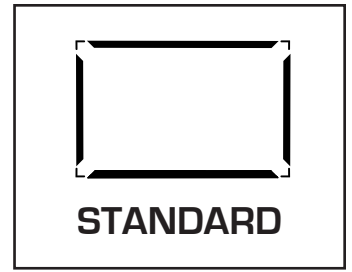


Screen Mounting

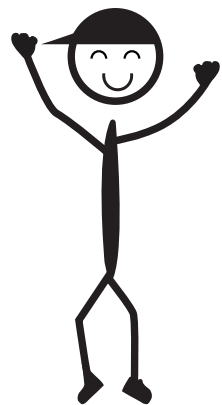
1

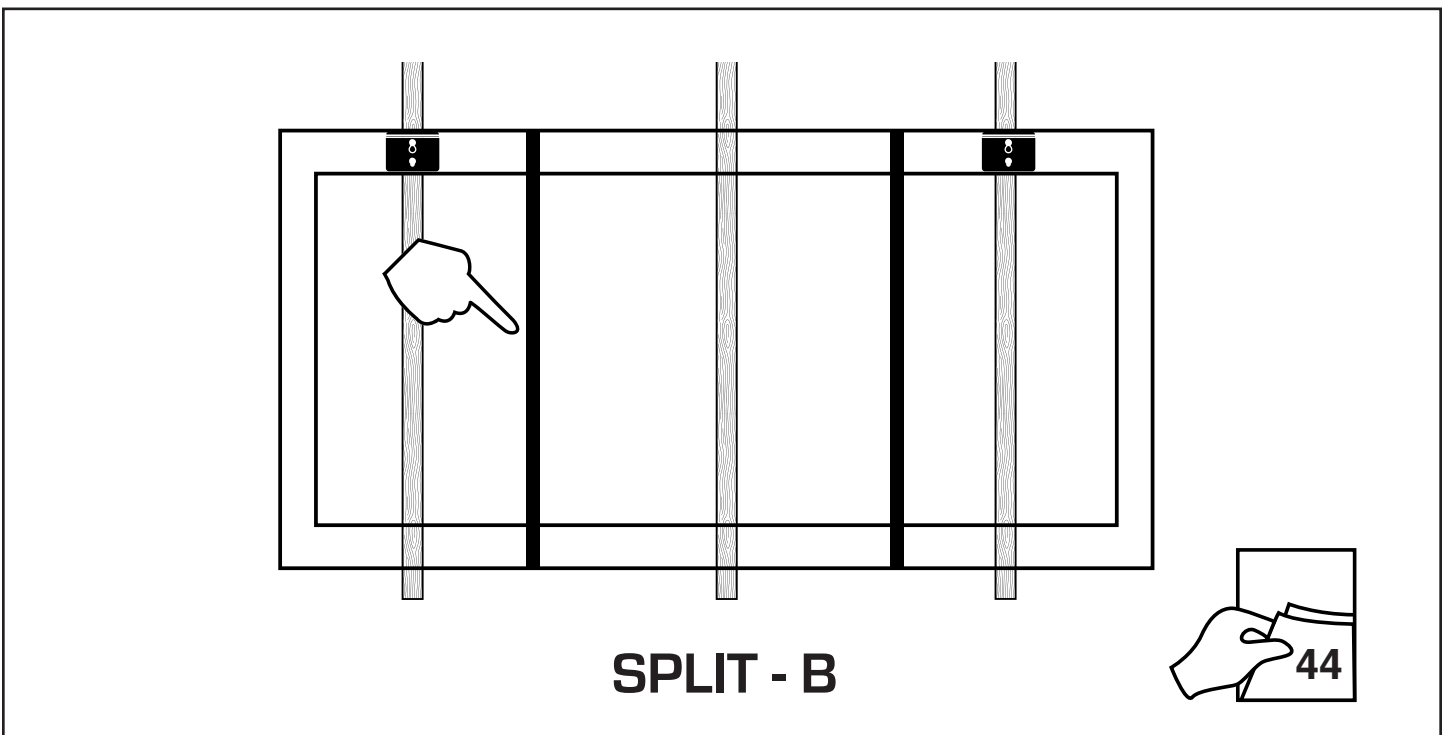
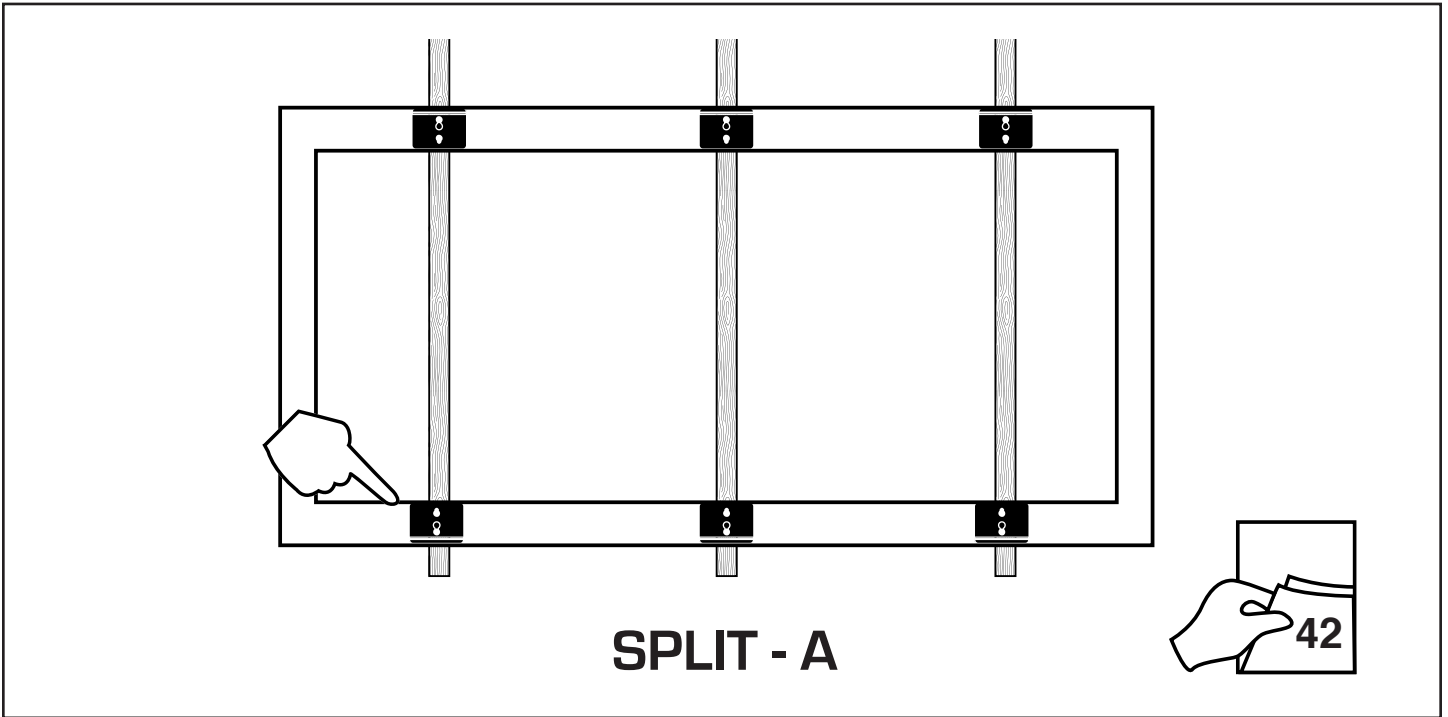
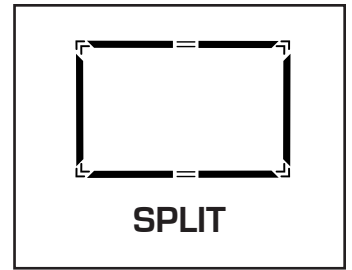


2

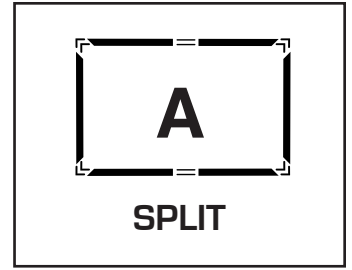


3



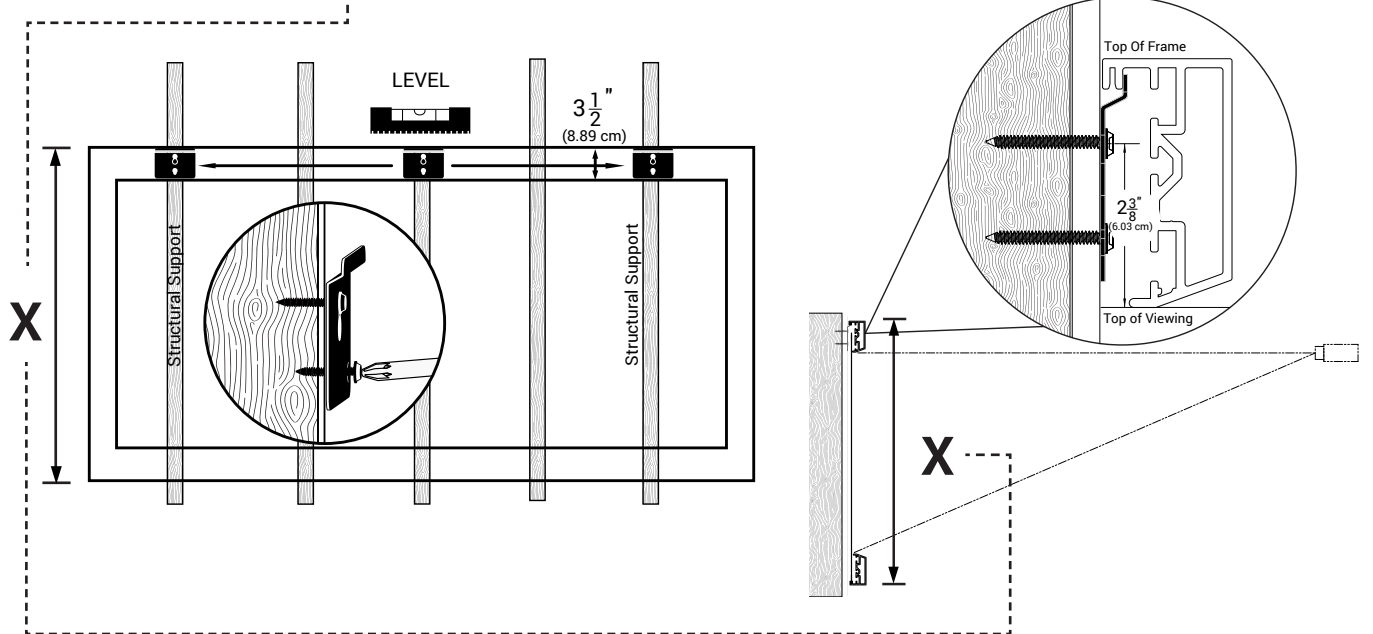


Screen Mounting



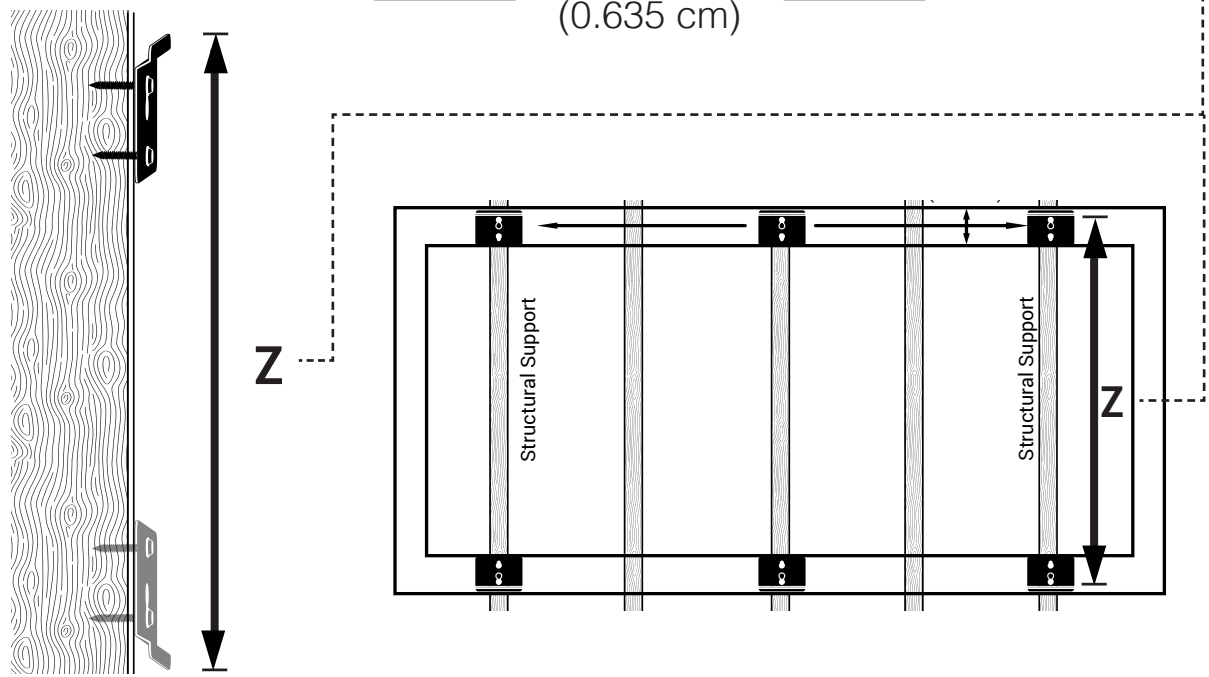
1

X = inch/cm

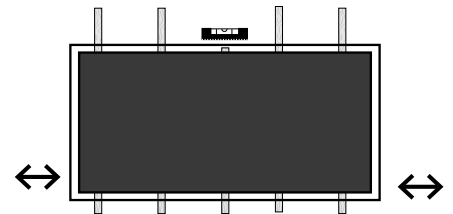
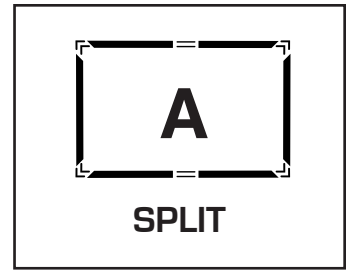
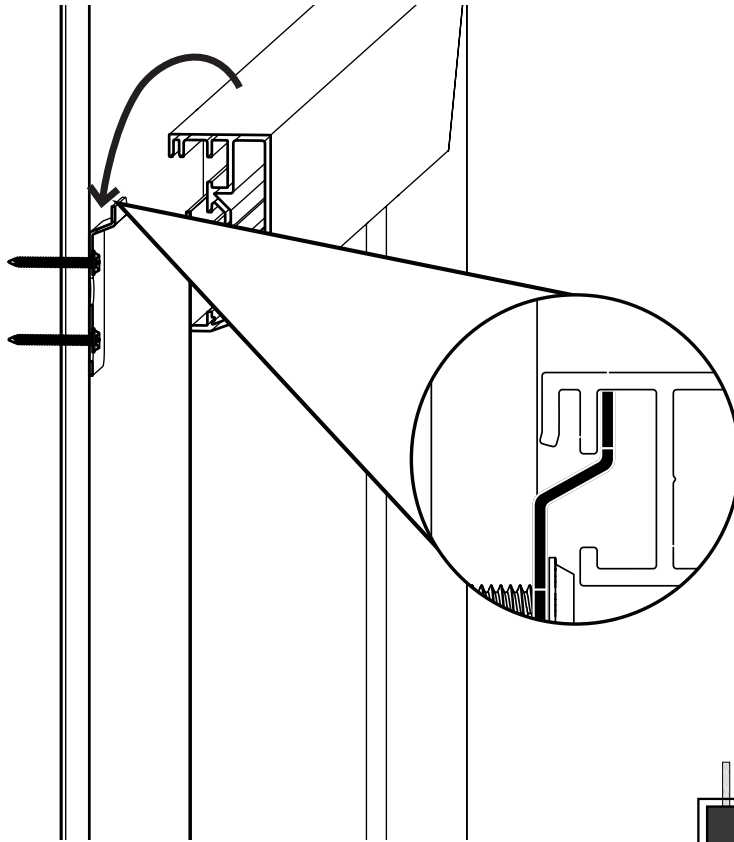


2

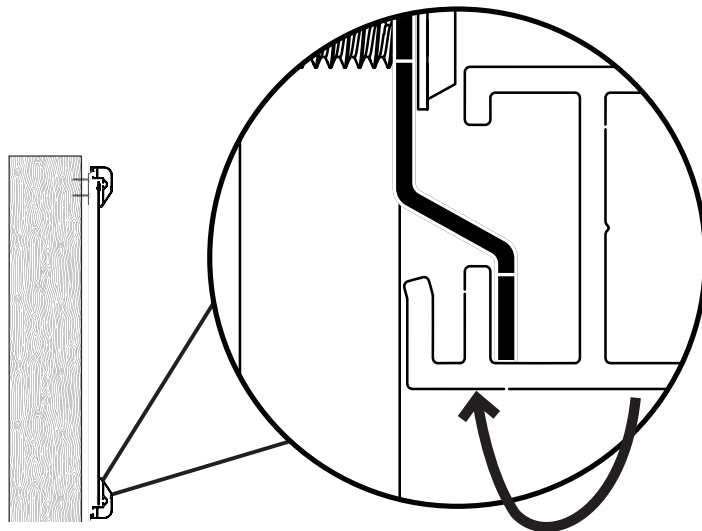
$X - 1/4 = Z$ inch/cm
(0.635 cm)



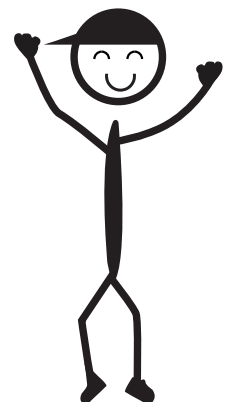
3



4

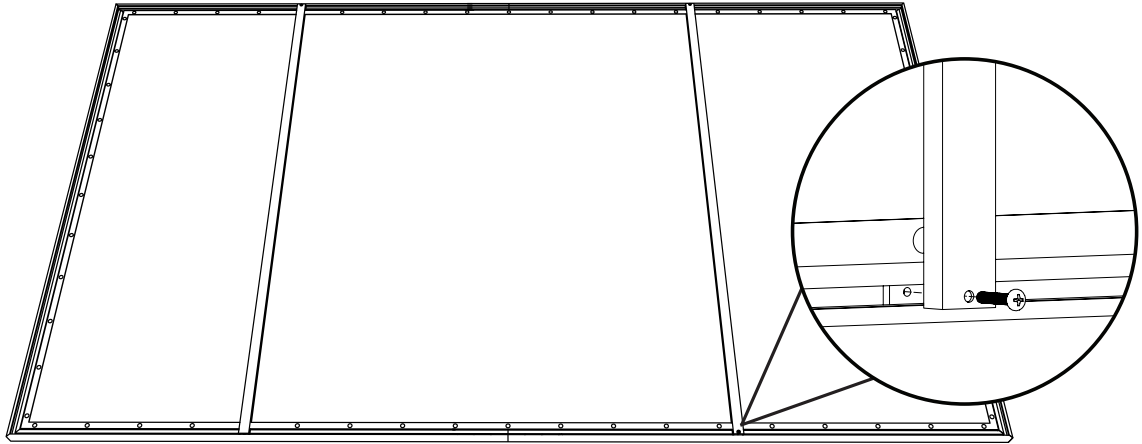
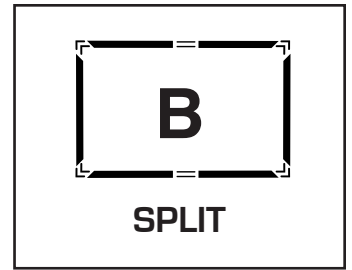


5

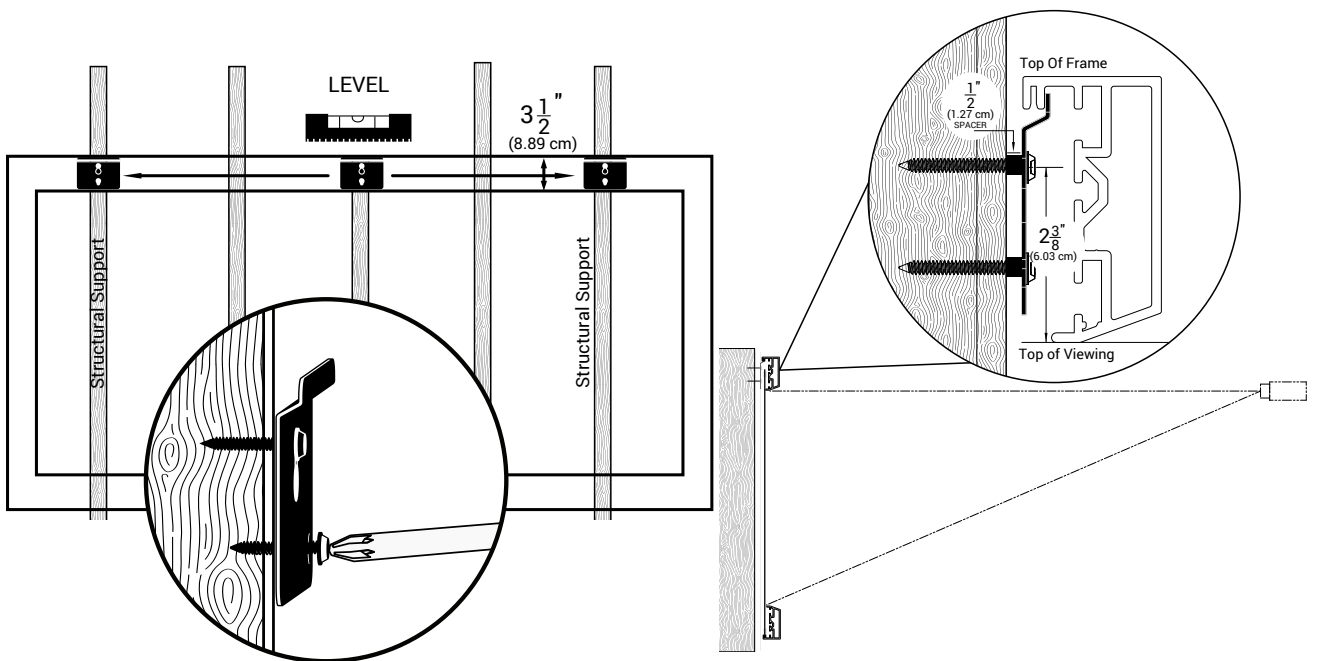


Screen Mounting

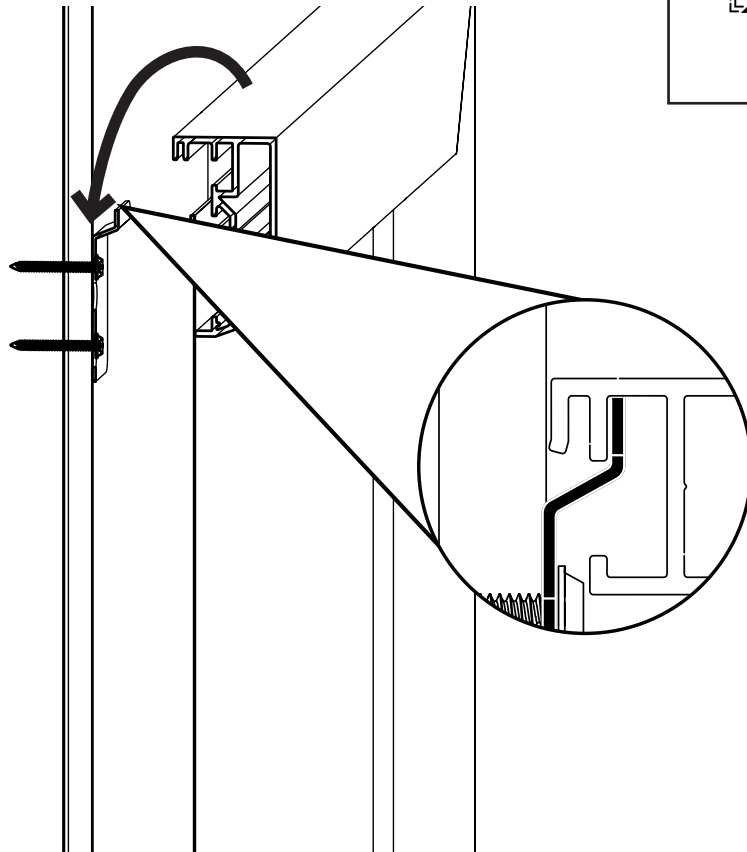
1



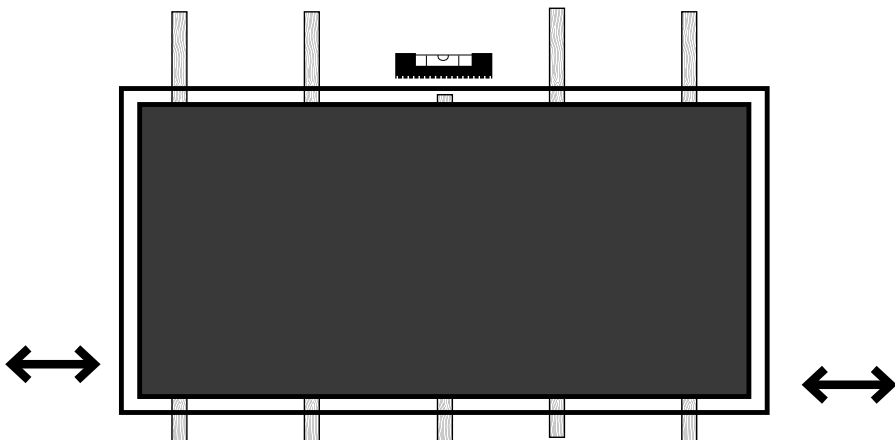
2



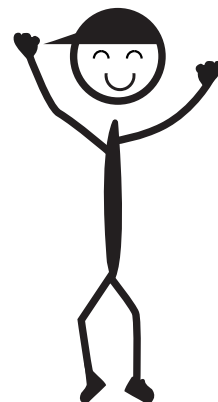
3



4

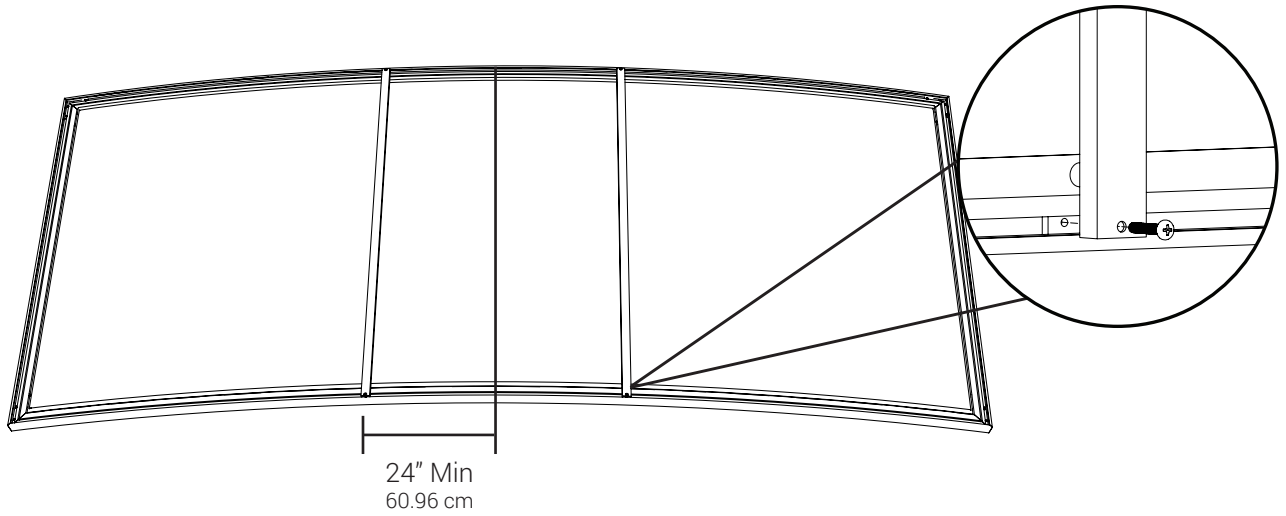
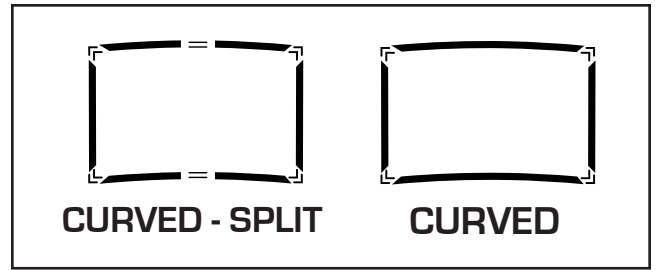


5

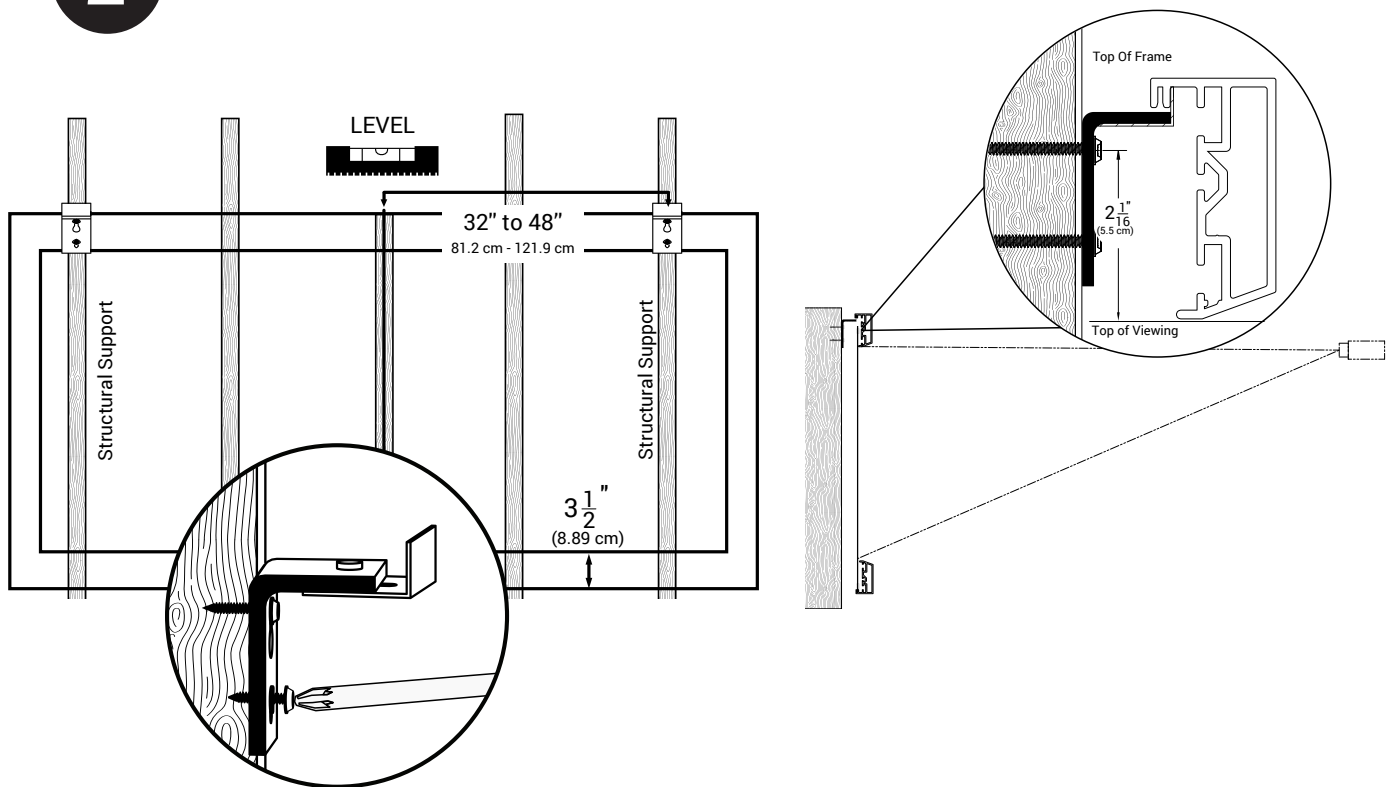


Screen Mounting

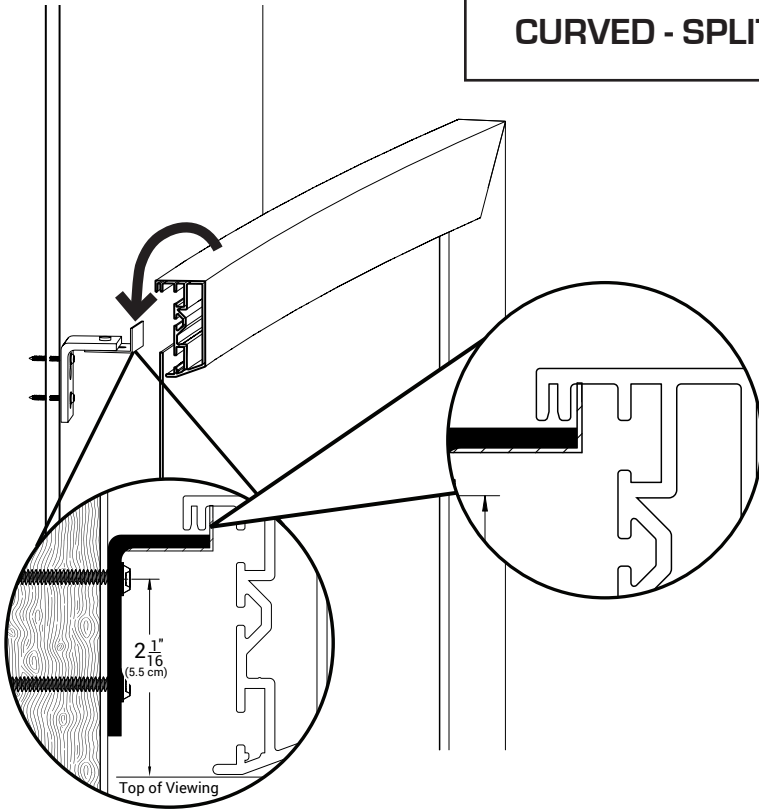
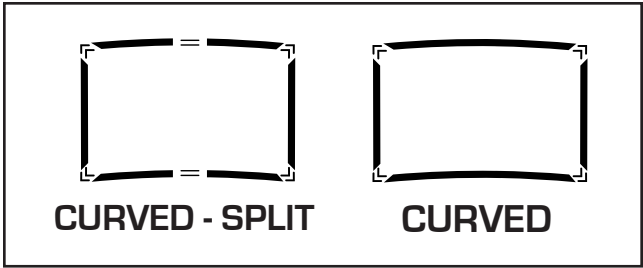
1



2

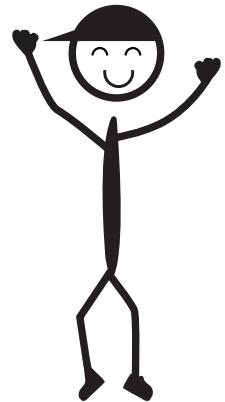
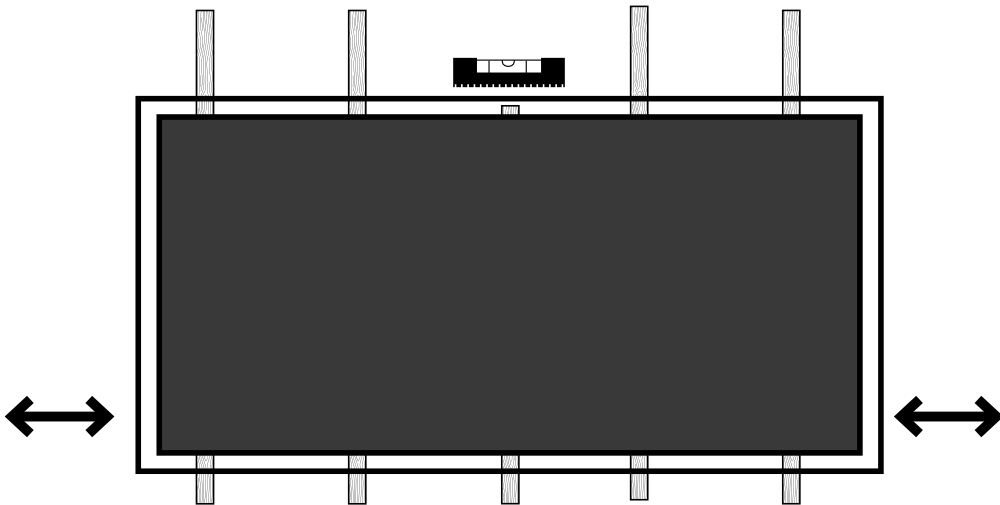


3



4

5





LIFETIME REPLACEMENT POLICY

Thank you for purchasing a genuine Screen Innovations product! We are **100%** committed to your satisfaction and welcome your feedback. Please retain this page for your records.

New SI products carry a standard 1-year parts and labor warranty. Older products are covered by our Lifetime Replacement policy.

To activate your Lifetime Replacement Policy, simply “Like” us on Facebook and/or “Follow” us on Twitter, and by all means, tell us about your SI experience! If you do not use Facebook or Twitter, you can submit your information online:

www.screeninnovations.com/forms/lifetime-replacement-policy/



NOTES:

9715-B Burnet Road Suite 400, Austin, TX 78758

Tel: 512-832-6939 Fax: 512-832-6136

www.screeninnovations.com



NOTES:

9715-B Burnet Road Suite 400, Austin, TX 78758

Tel: 512-832-6939 Fax: 512-832-6136

www.screeninnovations.com



NOTES:

9715-B Burnet Road Suite 400, Austin, TX 78758

Tel: 512-832-6939 Fax: 512-832-6136

www.screeninnovations.com

