



Sensation Motorized

Accessories

- Floating wall bracket(2pcs)
- Ceiling hanger (2pcs)
- Trigger line (1pc)
- Wall switch
- # 5 x 60mm Wood screw (8pcs)
- Allen key (1pc)
- Spring Washer (4pcs)
- Instruction manual (1pc)
- M6x10 Screw (4pcs)
- External IR Receiver (1pc)

Motorized Screen Power Specifications

| Voltage | Frequency | Watts |
|-----------|-----------|-------|
| 110v/120v | 60Hz | 90W |

Getting Started

- To mount to a ceiling or wall, insert wood screws into structural wall or ceiling studs (diagram A), insuring the brackets are level. Then hang the screen on the upper and lower hooks (Diagram C) and tighten the locking screw.
- To hang the screen from a user supplied tether, mount the ceiling hanger to the bracket using 2 M6 screws per bracket as shown in Diagram B. Then attach the bracket to the screen (Diagram C) securing the bracket by tightening the locking screw. Use the hanger's hole to hang the screen. Only use tethers and hardware of adequately rated weight capacity.
- To un-mount a unit, simply loosen the locking screw and lift unit off the hooks.

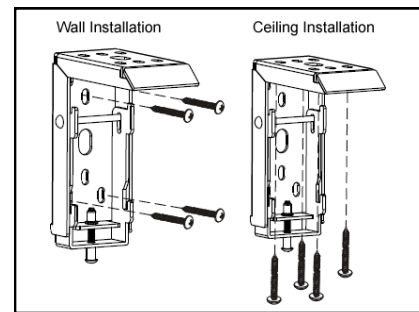


Diagram A

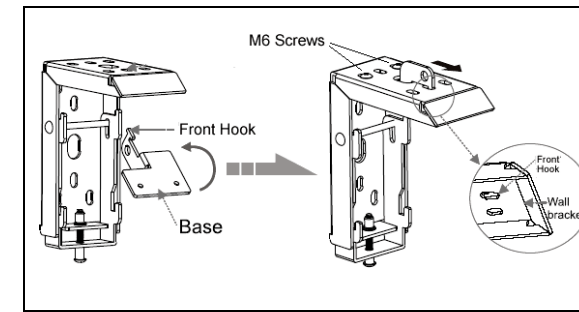


Diagram B

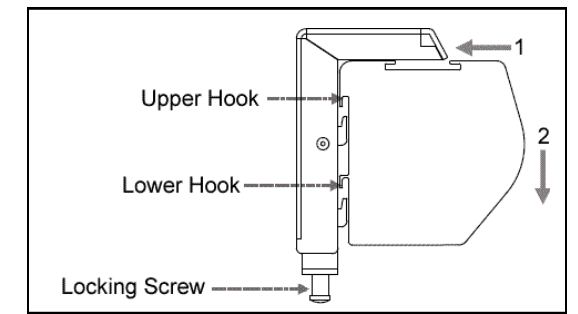


Diagram C

- Once power is connected to the wall from the back of the unit, it can be controlled via manual control, the internal or external IR receiver, IR remote, wall switch (wire diagram G), or 12 volt-trigger (diagrams D,F,G). 12 volt and IR can be utilized in combination. Note, manual control is a push-button located at the bottom left hand corner.

12 Volt Trigger — DC 5V ~ 12 V and min. 50mA - Use shielded 2 conductor 18 gauge (or larger) wiring. Maximum length = 65 ft. Screen lowers with constant 12 V signal and raises without.

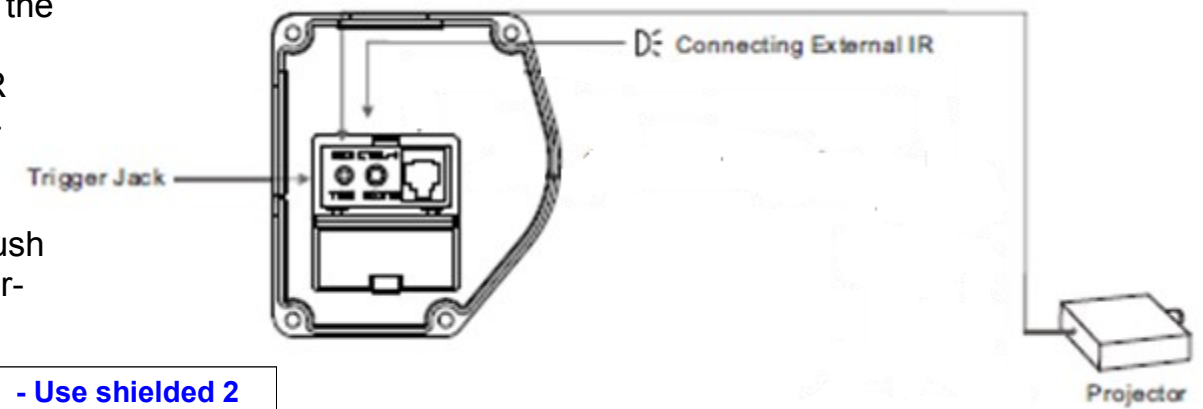


Diagram D

- Setting the screens motion limits (stop points): Locate the limit adjustment screws on the motor from under the screen at the left end. Using the provided Allen key rotate the limit screws as indicated in Diagram E to individually adjust the top and bottom points at which the screen will stop during operation. You will need to manually raise and lower the screen to see some of your adjustments. **NOTE: It is recommended in most cases that the top limit not be changed from the factory setting. If adjusting the top limit, use caution not to set the limit too high. Pulling the weight bar up into the case can damage the screen and/or motor. This damage is not covered under warranty.**

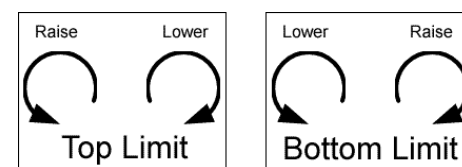
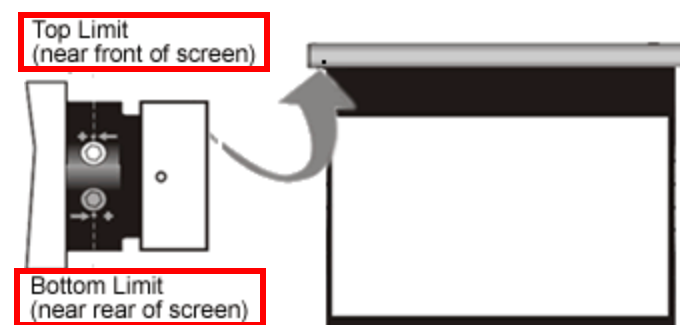


Diagram E

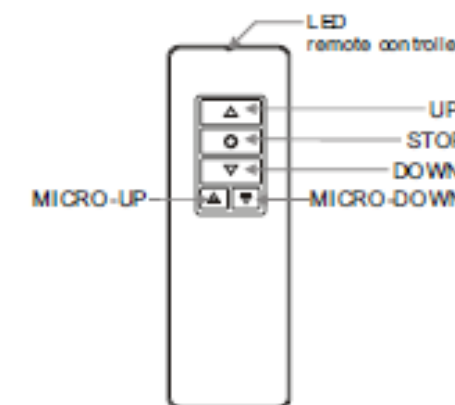


Diagram F

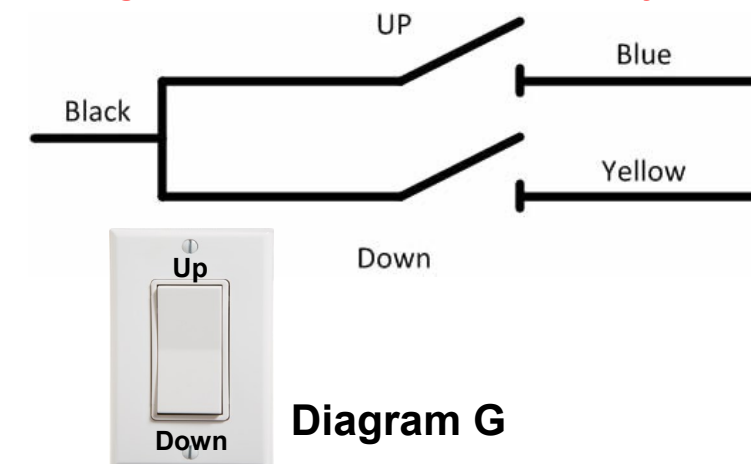


Diagram G

HEX CODES

UP: 11110000 00010001 11011101 11011110
 STOP: 11110000 00100001 11001100 11011101
 DOWN: 11110000 01000001 11101110 00011111

**Installation Help Line
(512) 832-6939**