

# 7 SERIES FIXED



## BLACK DIAMOND 2.7/1.4/8

SUGGESTED SPECIFICATIONS: [ ] projection screen(s), [ ] (H) x [ ] (W). Fixed Frame is a 3-1/2-inch wide by 2-inch deep, mitered, micro fiber wrapped aluminum screen frame. When mounted, screen surface is 3/4-inch from wall. All Black Diamond materials are available. Material attached via post and bungee system. 7 Series Fixed frame screens are available in sizes to viewing 60 inches high and are shipped disassembled. Screen Innovations 7 Series Fixed Frame screens are wall mountable using Steel mounting plates.

### Video HDTV (16:9) Format Dimensions

Viewing Area H x W (C x B)		Standard Diagonal (A)		Overall Dimensions H x W (E x D)		Approx. Ship. Wt.	
in.	cm.	in.	cm.	in.	cm.	Lbs.	Kg
39" X 70"	100 X 177	80"	203	47" X 77"	118" X 196	38	17
45" X 80"	115 X 204	92"	234	52" X 87"	133" X 222	43	20
49" X 87"	124 X 221	100"	254	56" X 94"	143" X 240	46	21
52" X 92"	132 X 235	106"	269	59" X 100"	150" X 253	48	22
54" X 96"	137 X 244	110"	279	61" X 103"	155" X 262	50	23
56" X 100"	143 X 255	115"	292	64" X 108"	162" X 273	51	23
59" X 105"	149 X 266	120"	305	66" X 112"	168" X 284	54	24

### Wide (16:10) Format Dimensions

Viewing Area H x W (C x B)		Standard Diagonal (A)		Overall Dimensions H x W (E x D)		Approx. Ship. Wt.	
in.	cm.	in.	cm.	in.	cm.	Lbs.	Kg
43" X 70"	110 X 177	80"	203	50" X 77"	126 X 195	38	17
49" X 78"	124 X 198	92"	234	56" X 85"	142 X 217	43	20
53" X 85"	135 X 215	100"	254	60" X 92"	153 X 234	46	21
56" X 90"	143 X 228	106"	269	63" X 97"	161 X 247	48	22
58" X 93"	148 X 237	110"	279	66" X 101"	167 X 255	50	23

### CinemaScope (2:35:1) Format Dimensions

Viewing Area H x W (C x B)		Standard Diagonal (A)		Overall Dimensions H x W (E x D)		Approx. Ship. Wt.	
in.	cm.	in.	cm.	in.	cm.	Lbs.	Kg
58" X 93"	148 X 237	110"	279	101"	255	48	22
47" X 110"	119 X 281	120"	305	118"	299	52	24
52" X 122"	132 X 311	133"	338	130"	329	57	26
56" X 131"	141 X 332	142"	361	138"	350	61	28
59" X 138"	149 X 351	150"	381	145"	369	64	29

**PRODUCT NOTES**

- Frame is a 3-1/2-inch wide by 2-inch deep,
- Aspect ratios Available: 16:9, 16:10, 2:35:1.
- Diagonal Sizes available in 1" increments.
- Bungee Tensioning System
- For dimensions not listed, please see our online screen calculator. <http://www.screeninnovations.com/tools/screen-calculator/>

**MATERIAL INFORMATION**

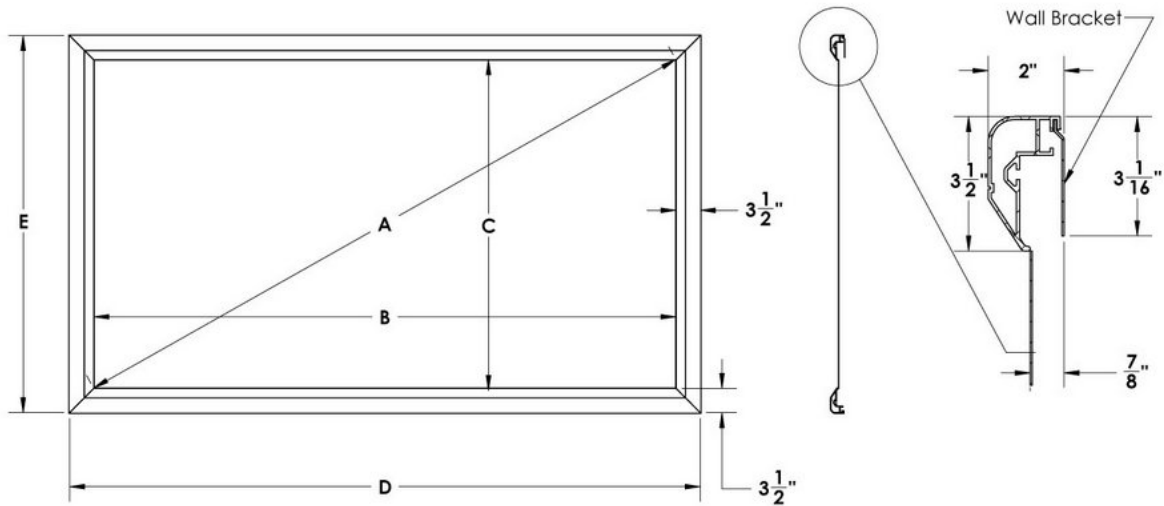
- All surfaces will be seamless.
- Max viewing height 60"

**WHEN ORDERING, MARK APPROPRIATE SELECTIONS**

1. Select Size from Charts.
2. Select Material:
  - Black Diamond .8 (4K)
  - Black Diamond 1.4 (4K)
  - Black Diamond 2.7 (4K)

3. Select Optional Accessories:

- Curved
- Stand



**Project Name:** \_\_\_\_\_

Architect: \_\_\_\_\_

Contractor: \_\_\_\_\_ Phone \_\_\_\_\_

Reseller: \_\_\_\_\_ Phone \_\_\_\_\_

